

JVC

SERVICE MANUAL

CD RECEIVER

KD-G615

Area suffix

UT ----- Taiwan
UH ----- Thailand
UN ----- Asean
U ----- Other Areas

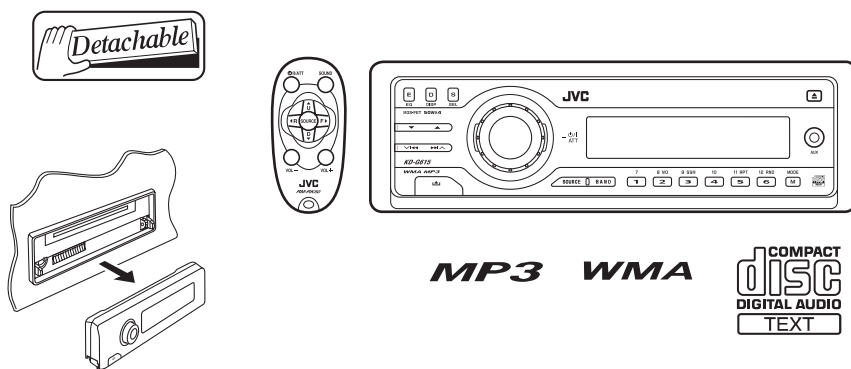


TABLE OF CONTENTS

1	PRECAUTIONS	1-3
2	SPECIFIC SERVICE INSTRUCTIONS	1-6
3	DISASSEMBLY	1-7
4	ADJUSTMENT	1-26
5	TROUBLESHOOTING	1-27

SPECIFICATION

AUDIO AMPLIFIER SECTION

Maximum Power Output	Front	50 W per channel
	Rear	50 W per channel
Continuous Power Output (RMS)	Front	19 W per channel into 4 Ω , 40 Hz to 20 000 Hz at no more than 0.8% total harmonic distortion.
	Rear	19 W per channel into 4 Ω , 40 Hz to 20 000 Hz at no more than 0.8% total harmonic distortion.
Load Impedance	4 Ω (4 Ω to 8 Ω allowance)	
Tone Control Range	Bass	\pm 10 dB at 100 Hz
	Treble	\pm 10 dB at 10 kHz
Frequency Response	40 Hz to 20 000 Hz	
Signal-to-Noise Ratio	70 dB	
Line-Out Level/Impedance	2.5 V/20 k Ω load (full scale)	
Output Impedance	1 k Ω	
Subwoofer-Out Level/Impedance	2.0 V/20 k Ω load (full scale)	
Other Terminals	CD changer, SUBWOOFER	

TUNER SECTION

Frequency Range	FM	87.5 MHz to 108.0 MHz
	AM	531 kHz to 1 602 kHz
FM Tuner	Usable Sensitivity	11.3 dBf (1.0 μ V/75 Ω)
	50 dB Quieting Sensitivity	16.3 dBf (1.8 μ V/75 Ω)
	Alternate Channel Selectivity (400 kHz)	65 dB
	Frequency Response	40 Hz to 15 000 Hz
	Stereo Separation	35 dB
	Capture Ratio	1.5 dB
AM Tuner	Sensitivity	20 μ V
	Selectivity	35 dB

CD PLAYER SECTION

Type	Compact disc player	
Signal Detection System	Non-contact optical pickup (semiconductor laser)	
Number of channels	2 channels (stereo)	
Frequency Response	5 Hz to 20 000 Hz	
Dynamic Range	96 dB	
Signal-to-Noise Ratio	98 dB	
Wow and Flutter	Less than measurable limit	
MP3 Decoding Format	MPEG1/2 Audio Layer 3 Max. Bit Rate : 320 kbps	
WMA (Windows Media Audio) Decoding Format	Max. Bit Rate : 192 kbps	


GENERAL


Power Requirement	Operating Voltage	DC 14.4 V (11 V to 16 V allowance)
Grounding System	Negative ground	
Allowable Operating Temperature	0°C to +40°C	
Dimensions (W \times H \times D)	Installation Size (approx.)	182 mm \times 52 mm \times 150 mm
	Panel Size (approx.)	188 mm \times 58 mm \times 11 mm
Mass (approx.)	1.5 kg (excluding accessories)	

Design and specifications are subject to change without notice.

SECTION 1 PRECAUTIONS

1.1 Safety Precautions

 **CAUTION** Burrs formed during molding may be left over on some parts of the chassis. Therefore, pay attention to such burrs in the case of performing repair of this system.

 **CAUTION** Please use enough caution not to see the beam directly or touch it in case of an adjustment or operation check.

1.2 Preventing static electricity

Electrostatic discharge (ESD), which occurs when static electricity stored in the body, fabric, etc. is discharged, can destroy the laser diode in the traverse unit (optical pickup). Take care to prevent this when performing repairs.

1.2.1 Grounding to prevent damage by static electricity

Static electricity in the work area can destroy the optical pickup (laser diode) in devices such as CD players.

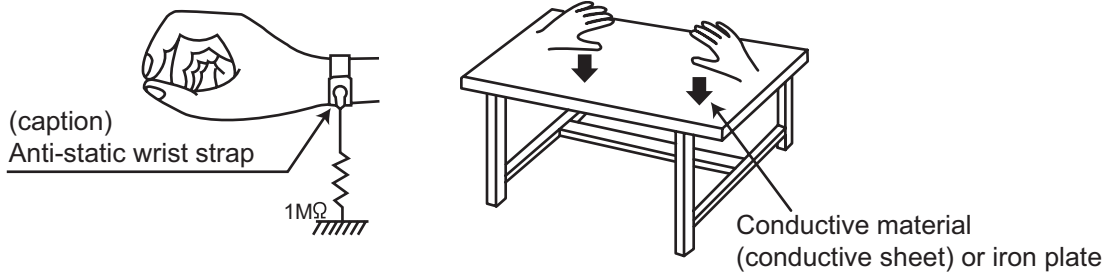
Be careful to use proper grounding in the area where repairs are being performed.

(1) Ground the workbench

Ground the workbench by laying conductive material (such as a conductive sheet) or an iron plate over it before placing the traverse unit (optical pickup) on it.

(2) Ground yourself

Use an anti-static wrist strap to release any static electricity built up in your body.



(3) Handling the optical pickup

- In order to maintain quality during transport and before installation, both sides of the laser diode on the replacement optical pickup are shorted. After replacement, return the shorted parts to their original condition. (Refer to the text.)
- Do not use a tester to check the condition of the laser diode in the optical pickup. The tester's internal power source can easily destroy the laser diode.

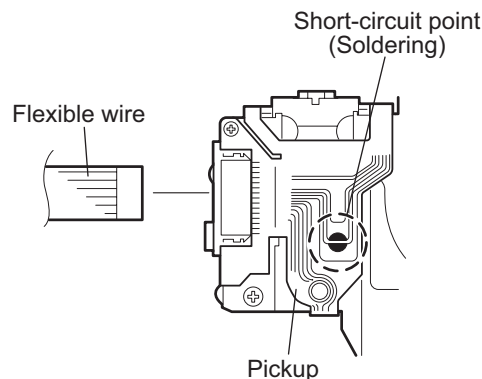
1.3 Handling the traverse unit (optical pickup)

- (1) Do not subject the traverse unit (optical pickup) to strong shocks, as it is a sensitive, complex unit.
- (2) Cut off the shorted part of the flexible cable using nippers, etc. after replacing the optical pickup. For specific details, refer to the replacement procedure in the text. Remove the anti-static pin when replacing the traverse unit. Be careful not to take too long a time when attaching it to the connector.
- (3) Handle the flexible cable carefully as it may break when subjected to strong force.
- (4) It is not possible to adjust the semi-fixed resistor that adjusts the laser power. Do not turn it.

1.4 Attention when traverse unit is decomposed

***Please refer to "Disassembly method" in the text for the CD pickup unit.**

- Apply solder to the short land before the flexible wire is disconnected from the connector on the CD pickup unit. (If the flexible wire is disconnected without applying solder, the CD pickup may be destroyed by static electricity.)
- In the assembly, be sure to remove solder from the short land after connecting the flexible wire.



1.5 Important for laser products

1.CLASS 1 LASER PRODUCT


2.DANGER : Invisible laser radiation when open and interlock failed or defeated. Avoid direct exposure to beam.

3.CAUTION : There are no serviceable parts inside the Laser Unit. Do not disassemble the Laser Unit. Replace the complete Laser Unit if it malfunctions.

4.CAUTION : The CD,MD and DVD player uses invisible laser radiation and is equipped with safety switches which prevent emission of radiation when the drawer is open and the safety interlocks have failed or are defeated. It is dangerous to defeat the safety switches.

5.CAUTION : If safety switches malfunction, the laser is able to function.

6.CAUTION : Use of controls, adjustments or performance of procedures other than those specified here in may result in hazardous radiation exposure.

 **CAUTION** Please use enough caution not to see the beam directly or touch it in case of an adjustment or operation check.

CAUTION : Visible and invisible laser radiation when open and interlock failed or defeated.
AVOID DIRECT EXPOSURE TO BEAM.

ADVARSEL : Synlig og usynlig laserstråling når maskinen er åben eller interlocken fejler. Undgå direkte eksponering til stråling.

VARNING : Synlig och osynlig laserstråling när den öppnas och spärren är urkopplad. Betrakta ej strålen.

VARO : Avattaessa ja suojalukitus ohitettuna tai viallisena olet alltiina näkyvälle ja näkymättömälle lasersäteilylle. Vältä säteen kohdistumista suoraan itseesi.

REPRODUCTION AND POSITION OF LABELS

WARNING LABEL

CLASS 1
LASER PRODUCT

CAUTION : Visible and invisible laser radiation when open and interlock failed or defeated. AVOID DIRECT EXPOSURE TO BEAM. (e)

ADVARSEL : Synlig og usynlig laserstråling når maskinen er åben eller interlocken fejler. Undgå direkte eksponering til stråling. (d)

VARNING : Synlig och osynlig laserstråling när den öppnas och spärren är urkopplad. Betrakta ej strålen. (s)

VARO : Avattaessa ja suojalukitus ohitettuna tai viallisena olet alltiina näkyvälle ja näkymättömälle lasersäteilylle. Vältä säteen kohdistumista suoraan itseesi. (f)

SECTION 2 SPECIFIC SERVICE INSTRUCTIONS

2.1 HOW TO IDENTIFY MODELS

2.1.1 NAME PLATE

The image shows a nameplate for a JVC CD Receiver Model KD-G615 and its corresponding wiring diagram. The nameplate is divided into sections: a top section with the N835 logo, a middle section with the JVC logo and 'DESTINATION U2', and a bottom section with the model number, DC 12V negative ground specification, and manufacturer information. The wiring diagram to the right shows a multi-pin connector with various colored wires connected to functions like Remote, Tel Muting, Accessory, Front/Rear Speakers, Power Antenna, Illumination, Battery, and Ground. A warning note states: 'DO NOT CONNECT SPEAKER NEGATIVE (-) LEADS TOGETHER OR TO CHASSIS GROUND'. A 'Discernment sign' arrow points to the 'DESTINATION U2' label on the nameplate.

N835

JVC DESTINATION U2
CD RECEIVER
MODEL NO. KD-G615
DC 12 V --- NEGATIVE GROUND

SERIAL NO. [REDACTED]
Victor Company of Japan, Limited
MADE IN INDONESIA

GE31467-002A

Wiring Diagram Labels:
BLUE WITH WHITE LINE: REMOTE (MAX. 200mA)
BROWN: TEL MUTING
RED: ACCESSORY
WHITE: FRONT SP.Lch
GREEN: REAR SP.Lch
BLUE: POWER ANTENNA (MAX. 250mA)
GRANDE WITH WHITE LINE: ILLUMINATION
YELLOW: BATTERY
BLACK: GROUND
GRAY WITH BLACK LINE: FRONT SP.Rch
PURPLE: REAR SP.Rch
PURPLE WITH BLACK LINE: REAR SP.Rch

DO NOT CONNECT SPEAKER NEGATIVE (-) LEADS TOGETHER OR TO CHASSIS GROUND

Discernment sign

SECTION 3 DISASSEMBLY

3.1 Main body

3.1.1 Removing the front panel assembly (See Fig.1)

- (1) Push the detach button in the lower right part of the front panel assembly and remove the front panel assembly.
- (2) Take out the front panel assembly.

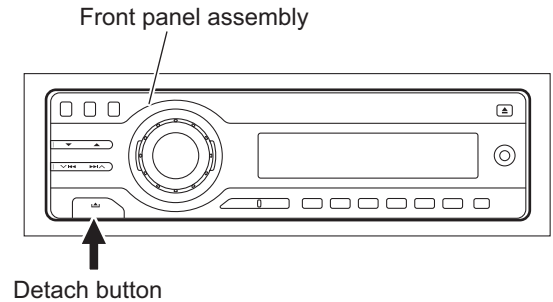


Fig.1

3.1.2 Removing the bottom cover (See Fig.2)

- (1) Turn the main body up side down.
- (2) Insert a screwdriver under the joints to release the two joints **a** on the left side, two joints **b** on the right side and joint **c** on the back side of the main body, then remove the bottom cover from the main body.

CAUTION:

When releasing the joints using a screwdriver, do not damage the main board.

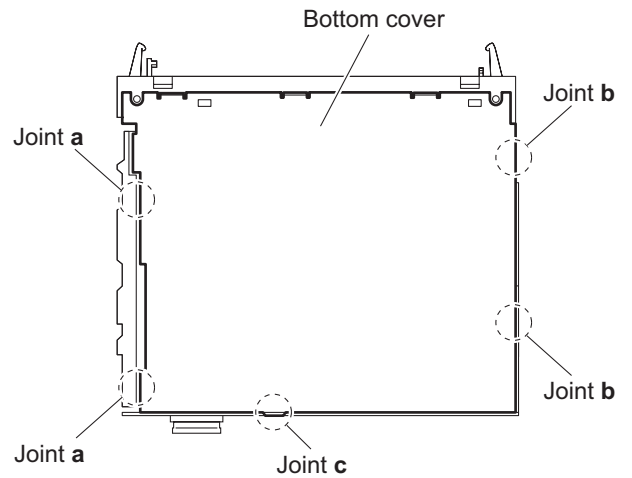


Fig.2

3.1.3 Removing the front chassis assembly (See Figs.3 and 4)

- Prior to performing the following procedures, remove the front panel assembly and bottom cover.
 - (1) Remove the two screws **A** on the both sides of the main body. (See Fig.3)
 - (2) Remove the two screws **B** on the front side of the main body. (See Fig.4)
 - (3) Release the two joints **d** and two joints **e** on the both sides of the main body, then remove the front chassis assembly forward. (See Fig.3)

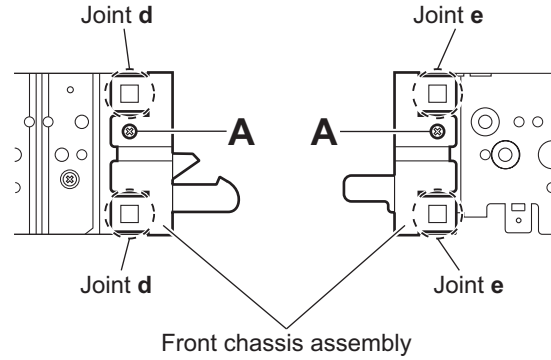


Fig.3

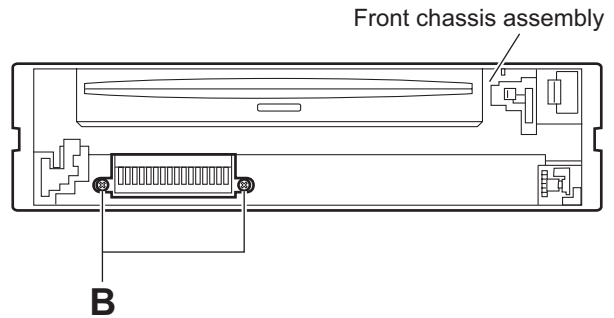


Fig.4

3.1.4 Removing the side panel (See Fig.5)

Reference:

Remove the front panel assembly as required. (Refer to "3.1.1 Removing front panel assembly")

- (1) Remove the two screws **C** and screw **D** attaching the side panel on the left side of the main body.
- (2) Take out the side panel from the main body.

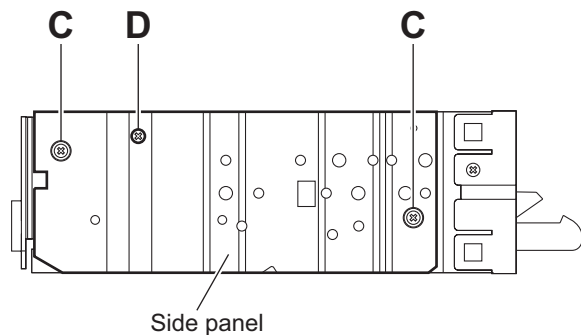


Fig.5

3.1.5 Removing the rear bracket (See Fig.6)

- Prior to performing the following procedure, remove the bottom cover.
 - (1) Remove the three screws **E**, three screws **F** and three screws **G** attaching the rear bracket on the back side of the main body.
 - (2) Take out the rear bracket.

Reference:

When attaching the rear bracket to the main body, insert the subwoofer output into the slot of the rear bracket.

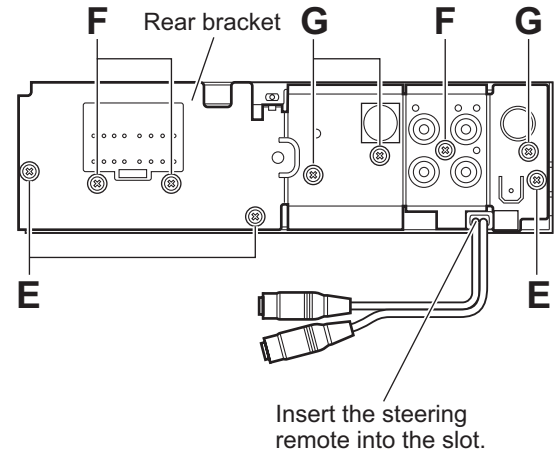


Fig.6

3.1.6 Removing the main board (See Fig.7)

- Prior to performing the following procedure, remove the front panel assembly, front chassis assembly, side panel, bottom cover and rear bracket.
 - (1) Remove the two screws **H** attaching the main board.
 - (2) Disconnect the connector [CN501](#) and take out the main board.

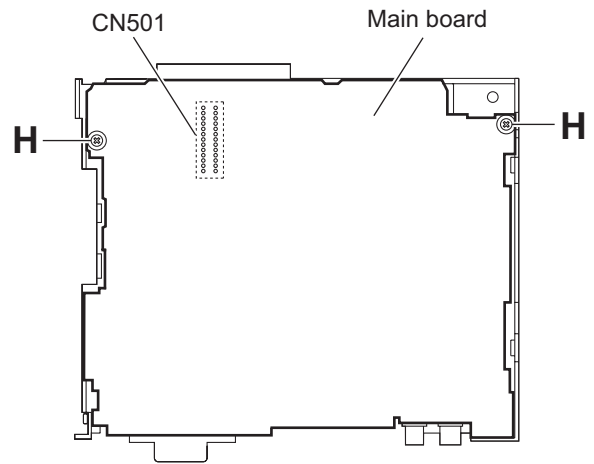


Fig.7

3.1.7 Removing the CD mecha control board (See Fig.8)

- Prior to performing the following procedure, remove the front panel assembly, front chassis assembly, side panel, bottom cover, rear bracket and main board.
 - (1) Disconnect the card wire from the connector [CN601](#) on the CD mecha control board.
 - (2) Remove the five screws **J** attaching the CD mecha control board.
 - (3) Release the claw **f**, and take out the CD mecha control board.

Reference:

When attaching the CD mecha control board, attach it to the claw **f** and pass the slot **g** of it into the boss of the CD mechanism assembly.

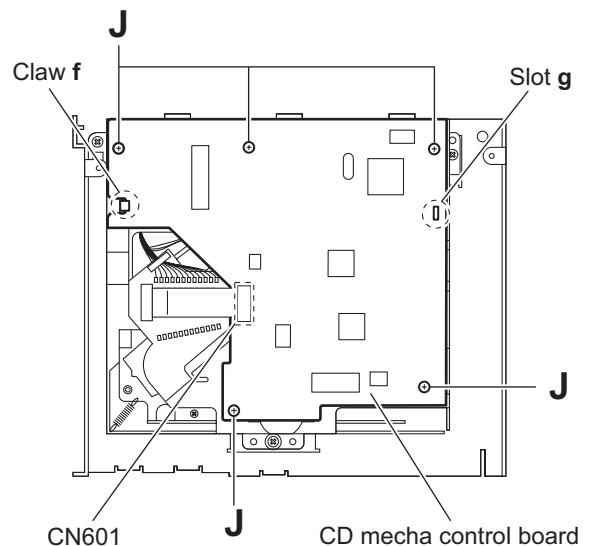


Fig.8

3.1.8 Removing the CD mechanism assembly (See Fig.9)

- Prior to performing the following procedure, remove the front panel assembly, front chassis assembly, side panel, bottom cover, rear bracket, main board and CD mecha control board.
 - (1) Remove the three screws **K** attaching the top chassis.
 - (2) Take out the CD mechanism assembly.

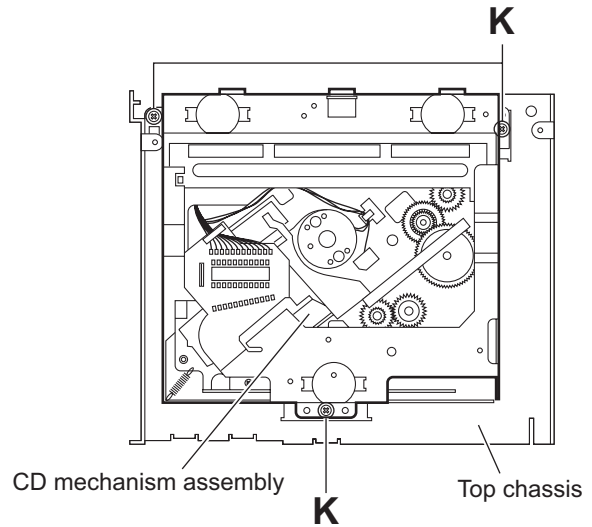


Fig.9

3.1.9 Removing the switch board (See Figs.10 to 12)

- Prior to performing the following procedure, remove the front panel assembly.
 - (1) Remove the five screws **L** attaching the front panel assembly. (See Fig.10)
 - (2) Release the nine joints **h**, and take out the rear cover. (See Fig.11)
 - (3) Release the joint **i**, and take out the switch board. (See Fig.12)

Note:

When removing the rear cover assembly and switch board, be careful not to lose the compression spring and comp. spring. (See Fig.12)

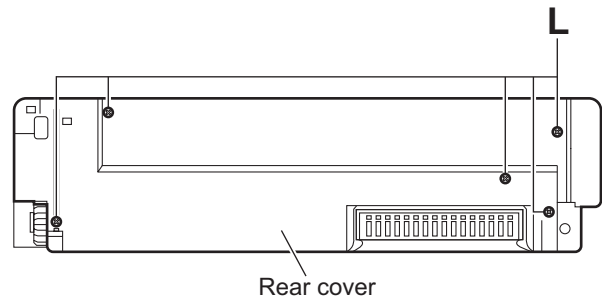


Fig.10

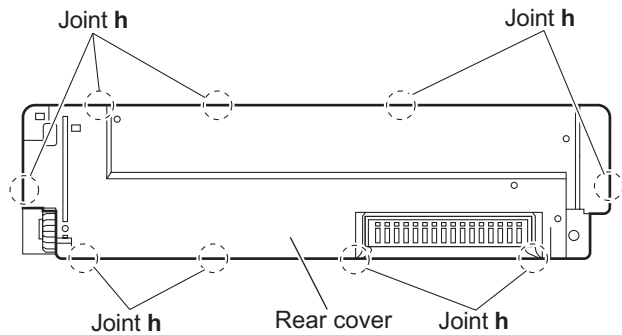


Fig.11

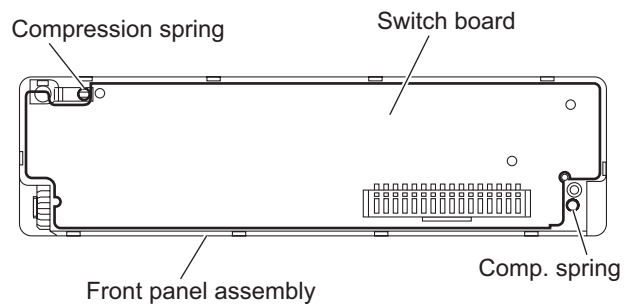


Fig.12

3.2 CD Mechanism section

3.2.1 Removing the top cover

(See Figs.1 and 2)

- (1) Remove the four screws **A** on the both side of the body.
- (2) Lift the front side of the top cover and move the top cover backward to release the two joints **a**.

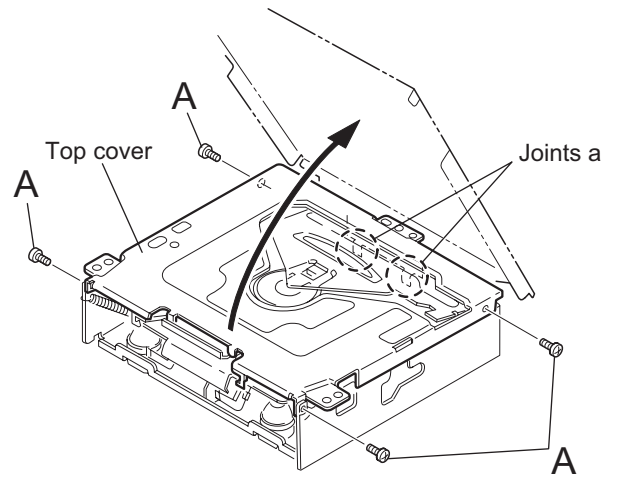


Fig.1

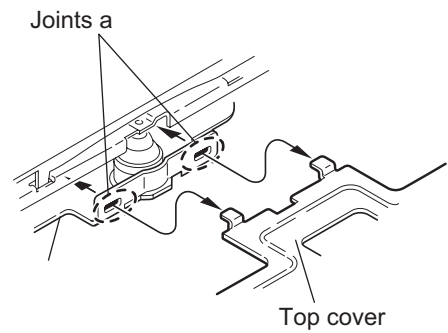


Fig.2

3.2.2 Removing the connector board (See Figs.3 to 5)

CAUTION:

Before disconnecting the flexible wire from the pickup, solder the short-circuit point on the pickup. No observance of this instruction may cause damage of the pickup.

- (1) Remove the screw **B** fixing the connector board.
- (2) Solder the short-circuit point on the pickup.
- (3) Disconnect the flexible wire from the pickup.
- (4) Move the connector board in the direction of the arrow to release the two joints **b**.
- (5) Unsolder the wires on the connector board if necessary.

CAUTION:

Unsolder the short-circuit point after reassembling.

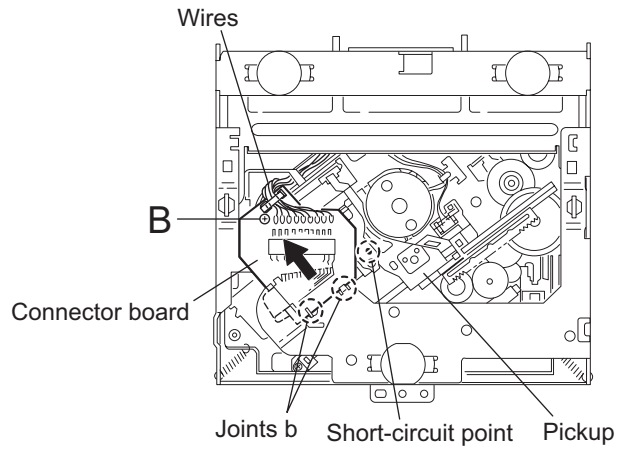


Fig.3

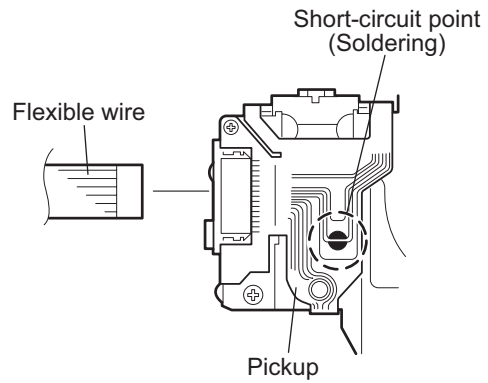


Fig.4

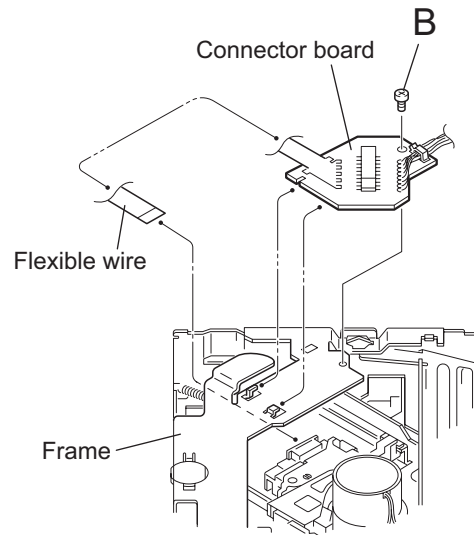


Fig.5

3.2.3 Removing the DET switch (See Figs.6 and 7)

- (1) Extend the two tabs **c** of the feed sw. holder and pull out the switch.
- (2) Unsolder the DET switch wire if necessary.

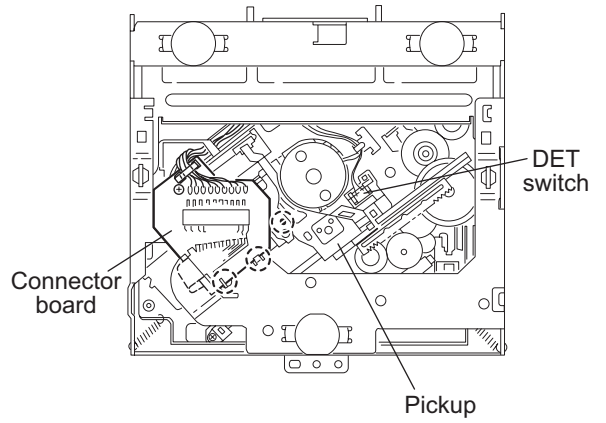


Fig.6

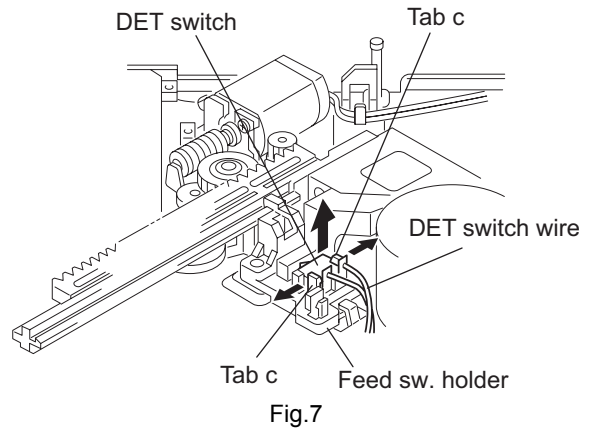


Fig.7

3.2.4 Removing the chassis unit (See Figs.8 and 9)

- Prior to performing the following procedure, remove the top cover and connector board.
(1) Remove the two suspension springs (L) and (R) attaching the chassis unit to the frame.

CAUTION:

- The shape of the suspension spring (L) and (R) are different. Handle them with care.
- When reassembling, make sure that the three shafts on the underside of the chassis unit are inserted to the dampers certainly.

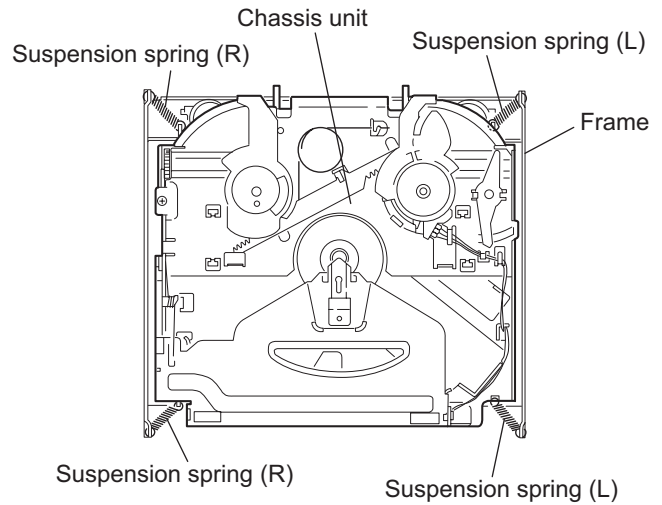


Fig.8

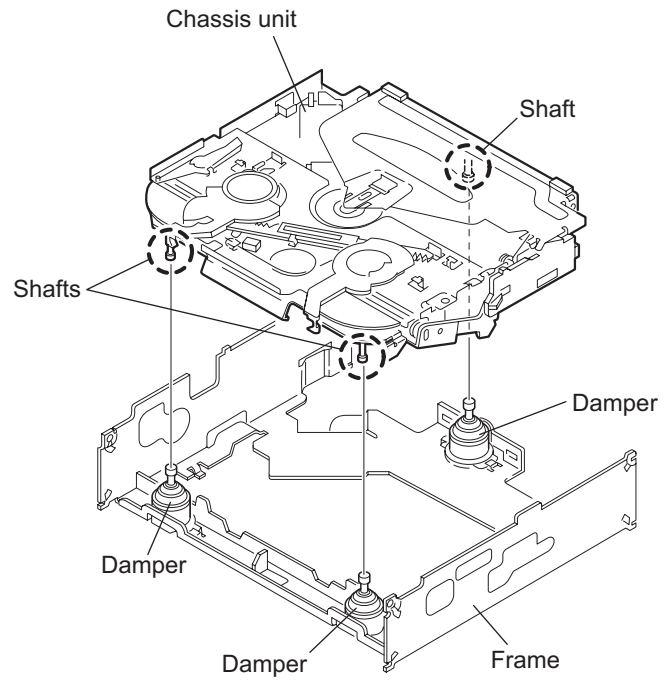


Fig.9

3.2.5 Removing the clamper assembly (See Figs.10 and 11)

- Prior to performing the following procedure, remove the top cover.
 - (1) Remove the clamper arm spring.
 - (2) Move the clamper assembly in the direction of the arrow to release the two joints d.

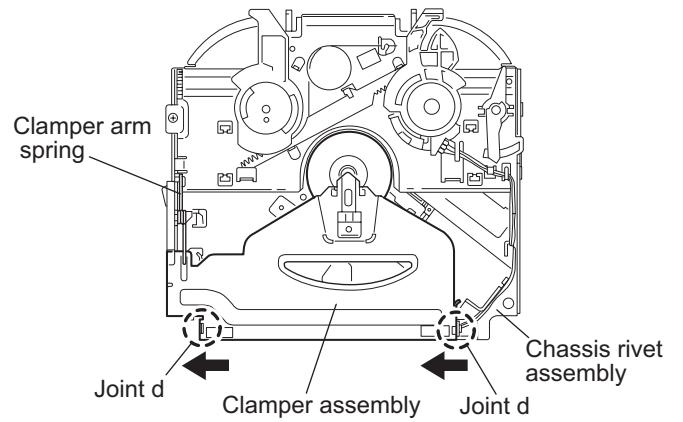


Fig.10

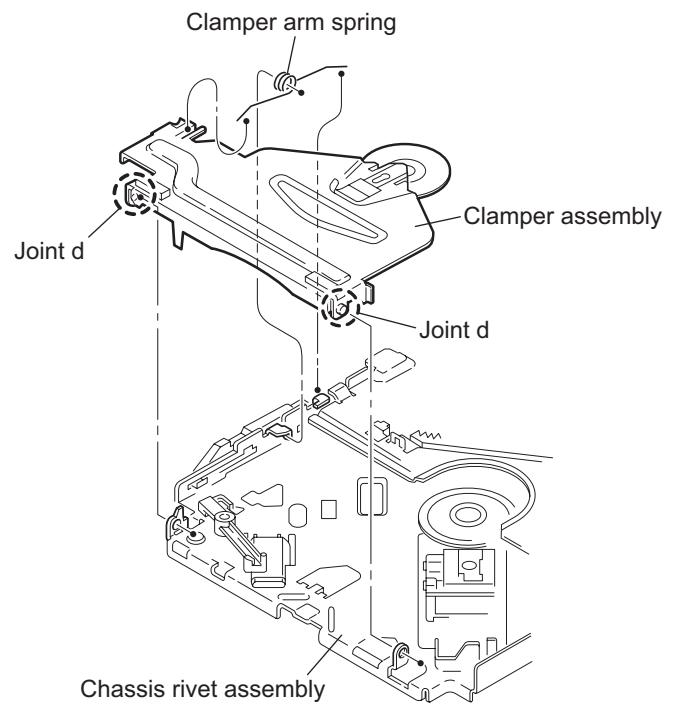


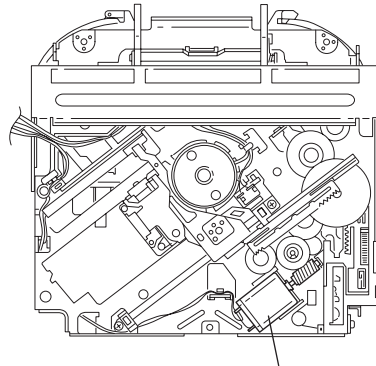
Fig.11

3.2.6 Removing the loading / feed motor assembly (See Figs.12 and 13)

- Prior to performing the following procedure, remove the top cover, connector board and chassis unit.
 - (1) Remove the screw **C** and move the loading / feed motor assembly in the direction of the arrow to remove it from the chassis rivet assembly.
 - (2) Disconnect the wire from the loading / feed motor assembly if necessary.

CAUTION:

When reassembling, connect the wire from the loading / feed motor assembly to the flame as shown in Fig.12.



Loading / feed motor assembly

Fig.12

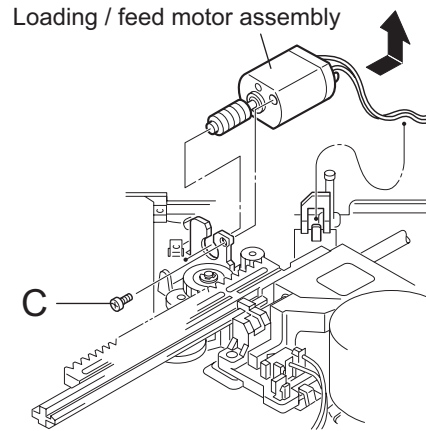


Fig.13

3.2.7 Removing the pickup unit (See Figs.14 to 18)

- Prior to performing the following procedure, remove the top cover, connector board and chassis unit.
- (1) Remove the screw **D** and pull out the pu. shaft holder from the pu. shaft.
- (2) Remove the screw **E** attaching the feed sw. holder.
- (3) Move the part **e** of the pickup unit upward with the pu. shaft and the feed sw. holder, then release the joint **f** of the feed sw. holder in the direction of the arrow. The joint **g** of the pickup unit and the feed rack is released, and the feed sw. holder comes off.
- (4) Remove the pu. shaft from the pickup unit.
- (5) Remove the screw **F** attaching the feed rack to the pickup unit.

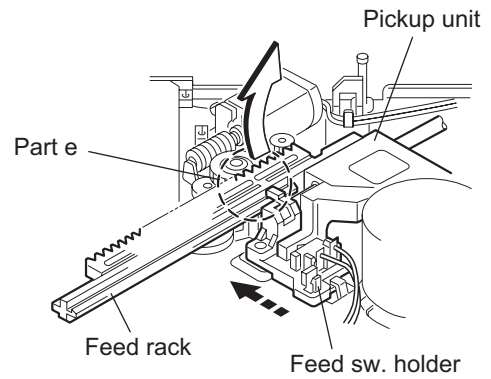


Fig.15

3.2.8 Reattaching the pickup unit (See Figs.14 to 17)

- (1) Reattach the feed rack to the pickup unit using the screw **F**.
- (2) Reattach the feed sw. holder to the feed rack while setting the joint **g** to the slot of the feed rack and setting the joint **f** of the feed rack to the switch of the feed sw. holder correctly.
- (3) As the feed sw. holder is temporarily attached to the pickup unit, set to the gear of the joint **g** and to the bending part of the chassis (joint **h**) at a time.

CAUTION:

Make sure that the part **i** on the underside of the feed rack is certainly inserted to the slot **j** of the change lock lever.

- (4) Reattach the feed sw. holder using the screw **E**.
- (5) Reattach the pu. shaft to the pickup unit. Reattach the pu. shaft holder to the pu. shaft using the screw **D**.

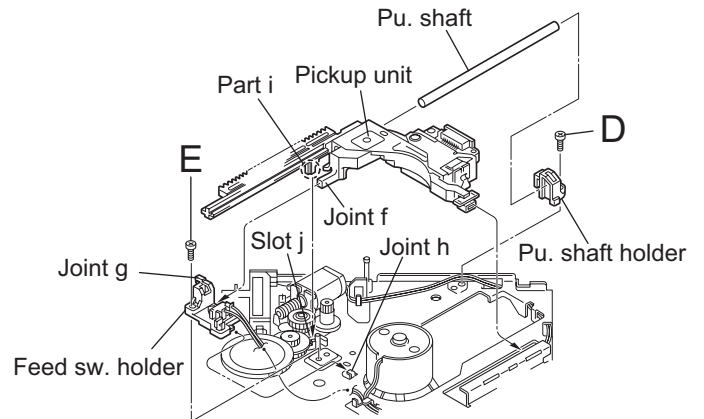


Fig.16

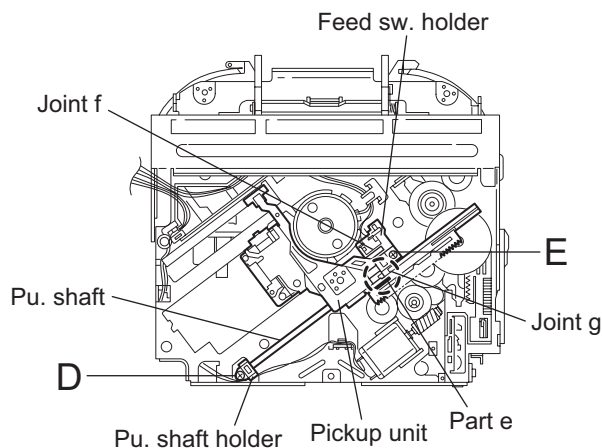


Fig.14

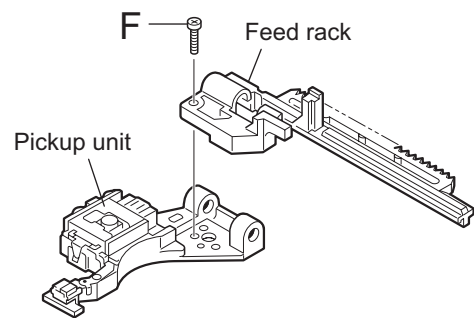


Fig.17

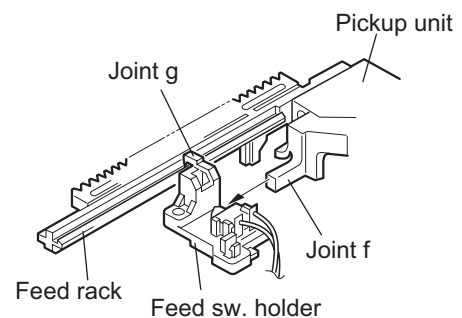


Fig.18

3.2.9 Removing the trigger arm (See Figs.19 and 20)

- Prior to performing the following procedure, remove the top cover, connector board and clamper unit.
 - (1) Turn the trigger arm in the direction of the arrow to release the joint **k** and pull out upward.

CAUTION:

When reassembling, insert the part **m** and **n** of the trigger arm into the part **p** and **q** at the slot of the chassis rivet assembly respectively and join the joint **k** at a time.

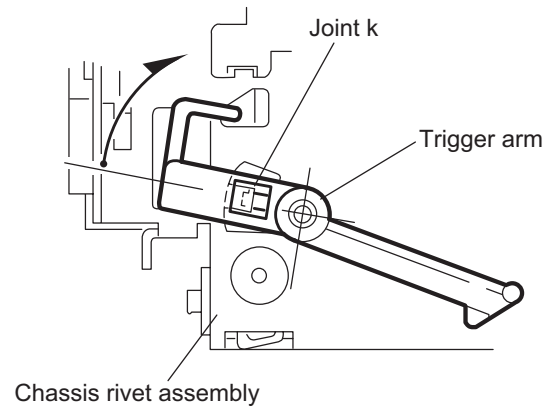


Fig.19

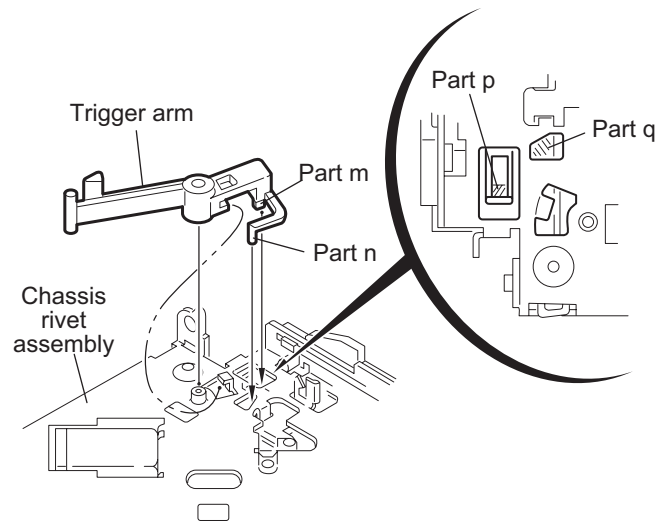


Fig.20

3.2.10 Removing the top plate assembly (See Fig.21)

- Prior to performing the following procedure, remove the top cover, connector board, chassis unit, and clamper assembly.
 - (1) Remove the screw **H**.
 - (2) Move the top plate assembly in the direction of the arrow to release the two joints **r**.
 - (3) Unsolder the wire marked **s** if necessary.

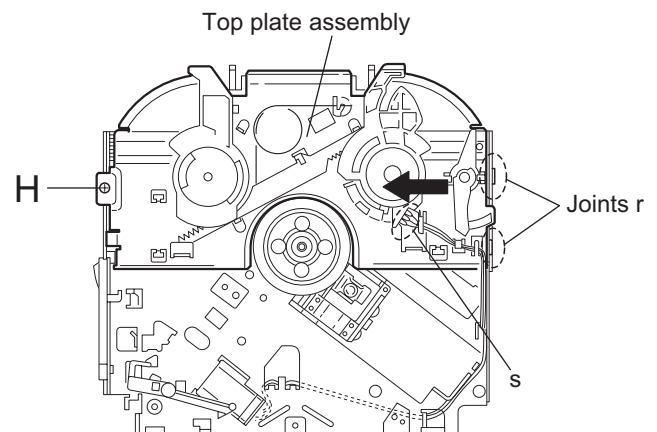


Fig.21

3.2.11 Removing the mode sw. / select lock arm (See Figs.22 and 23)

- Prior to performing the following procedure, remove the top plate assembly.
 - (1) Bring up the mode sw. to release from the link plate (joint t) and turn in the direction of the arrow to release the joint u.
 - (2) Unsolder the wire of the mode sw. marked s if necessary.
 - (3) Turn the select lock arm in the direction of the arrow to release the two joints v.
 - (4) The select lock arm spring comes off the select lock arm at the same time.

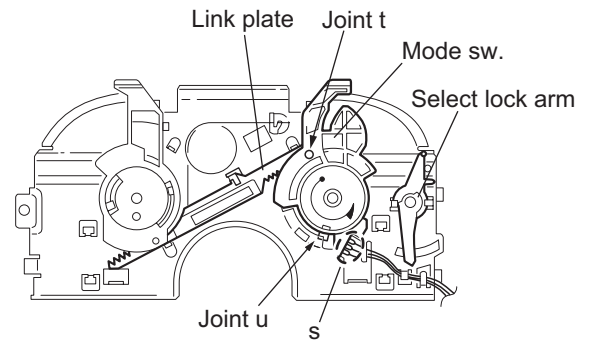


Fig.22

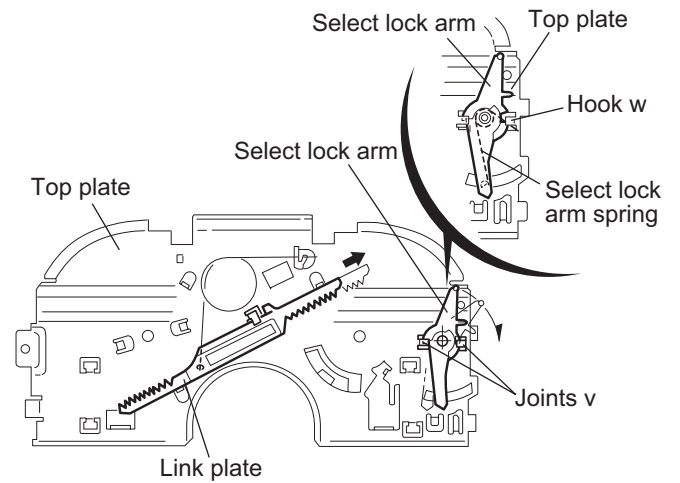


Fig.23

3.2.12 Reassembling the mode sw. / select lock arm (See Figs.24 to 26)

REFERENCE:

Reverse the above removing procedure.

- (1) Reattach the select lock arm spring to the top plate and set the shorter end of the select lock arm spring to the hook w on the top plate.
- (2) Set the other longer end of the select lock arm spring to the boss x on the underside of the select lock arm, and join the select lock arm to the slots (joint v). Turn the select lock arm as shown in the figure.
- (3) Reattach the mode sw. while setting the part t to the first peak of the link plate gear, and join the joint u.

CAUTION:

When reattaching the mode sw., check if the points y and z are correctly fitted and if each part operates properly.

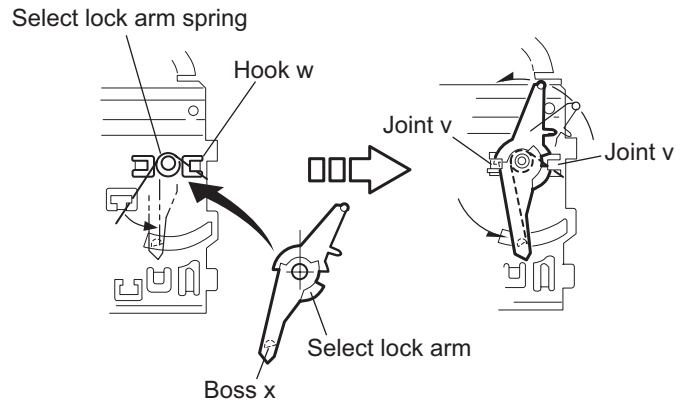


Fig.24

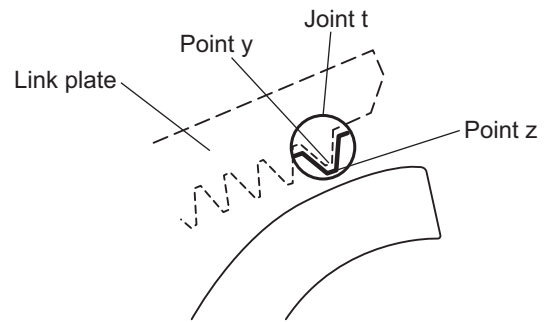


Fig.25

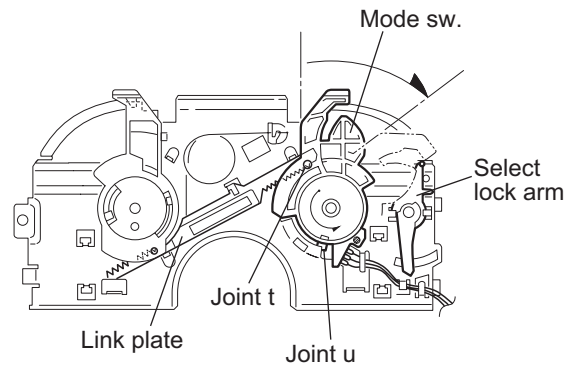


Fig.26

3.2.13 Removing the select arm R / link plate
(See Figs.27 and 28)

- Prior to performing the following procedure, remove the top plate assembly.
 - (1) Bring up the select arm R to release from the link plate (joint a') and turn as shown in the figure to release the two joints b' and joint c'.
 - (2) Move the link plate in the direction of the arrow to release the joint d'. Remove the link plate spring at the same time.

REFERENCE:

Before removing the link plate, remove the mode sw..

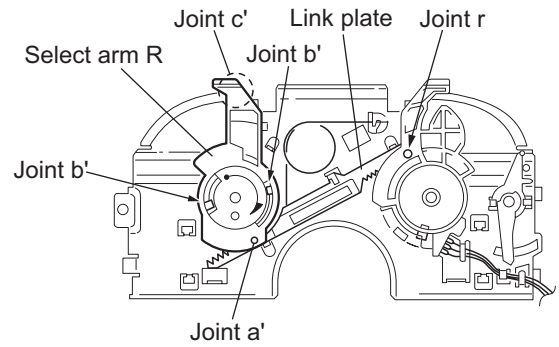


Fig.27

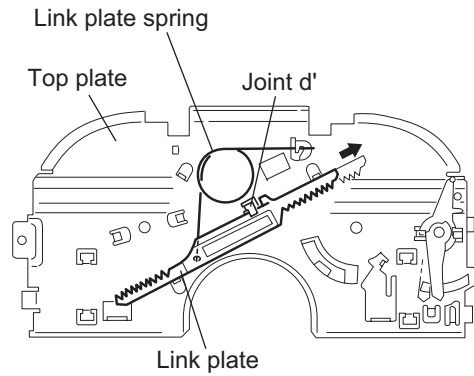


Fig.28

3.2.14 Reattaching the Select arm R / link plate
(See Figs.29 and 30)

REFERENCE:

Reverse the above removing procedure.

- (1) Reattach the link plate spring.
- (2) Reattach the link plate to the link plate spring while joining them at joint d'.
- (3) Reattach the joint a' of the select arm R to the first peak of the link plate while joining the two joints b' with the slots. Then turn the select arm R as shown in the figure. The top plate is joined to the joint c'.

CAUTION:

When reattaching the select arm R, check if the points e' and f' are correctly fitted and if each part operates properly.

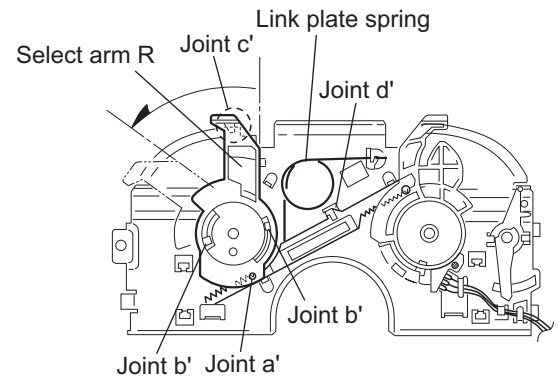


Fig.29

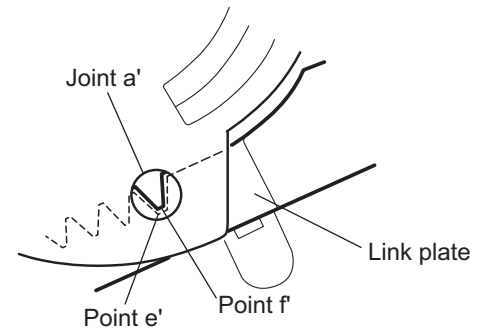


Fig.30

3.2.15 Removing the loading roller assembly (See Figs.31 to 33)

- Prior to performing the following procedure, remove the clamper assembly and top plate assembly.
 - (1) Push inward the loading roller assembly on the gear side and detach it upward from the slot of the joint **g'** of the lock arm rivet assembly.
 - (2) Detach the loading roller assembly from the slot of the joint **h'** of the lock arm rivet assembly.

The roller guide comes off the gear section of the loading roller assembly.

Remove the roller guide and the HL washer from the shaft of the loading roller assembly.

- (3) Remove the screw **J** attaching the lock arm rivet assembly.
- (4) Push the shaft at the joint **i'** of the lock arm rivet assembly inward to release the lock arm rivet assembly from the slot of the L side plate.
- (5) Extend the lock arm rivet assembly outward and release the joint **j'** from the boss of the chassis rivet assembly. The roller guide springs on both sides come off at the same time.

CAUTION:

When reassembling, reattach the left and right roller guide springs to the lock arm rivet assembly before reattaching the lock arm rivet assembly to the chassis rivet assembly. Make sure to fit the part **k'** of the roller guide spring inside of the roller guide. (Refer to Fig.34.)

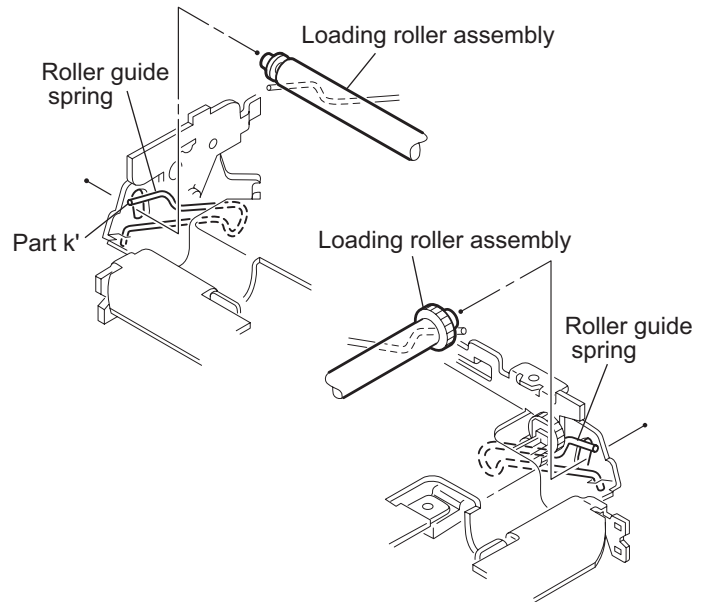


Fig.32

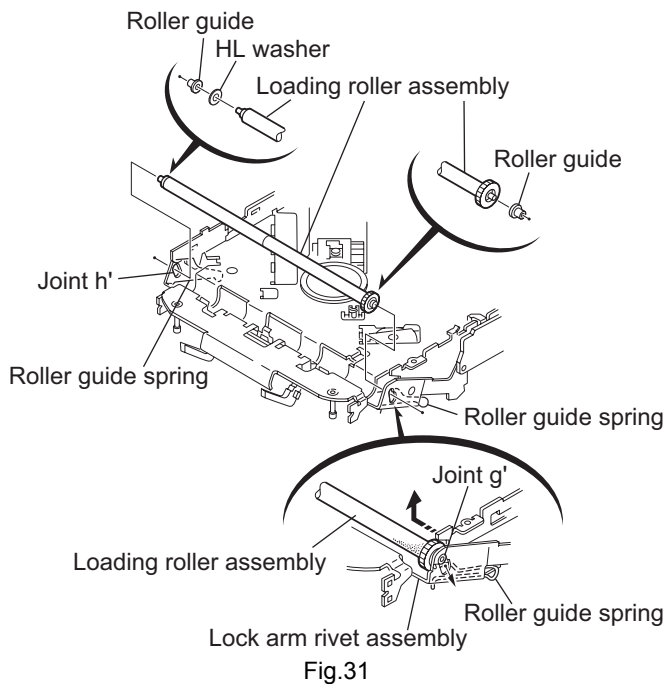


Fig.31

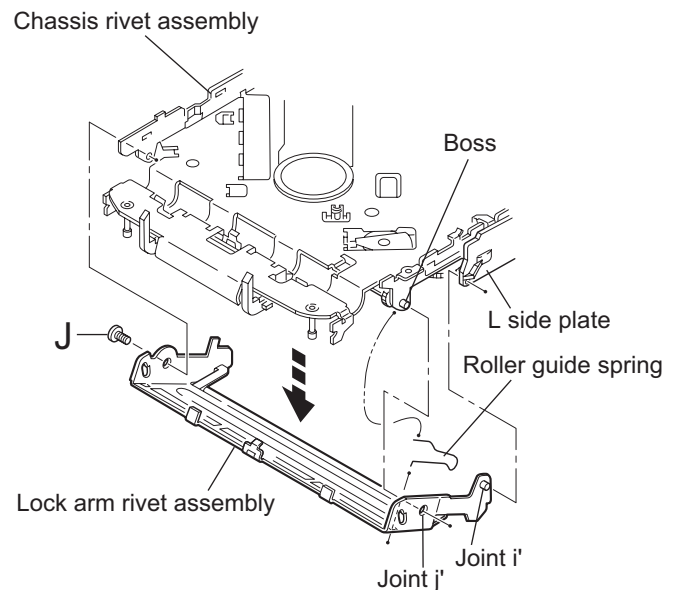


Fig.33

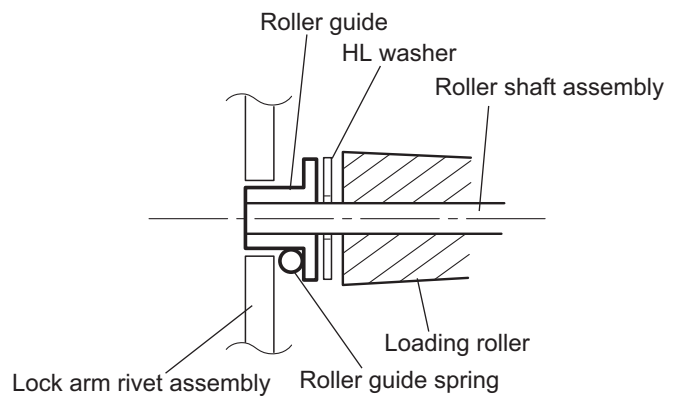


Fig.34

3.2.16 Removing the loading gear 5, 6 and 7 (See Figs.35 and 36)

- Prior to performing the following procedure, remove the top cover, chassis unit, pickup unit and top plate assembly.
 - (1) Remove the screw **K** attaching the loading gear bracket.
The loading gear 6 and 7 come off the loading gear bracket.
 - (2) Pull out the loading gear 5.

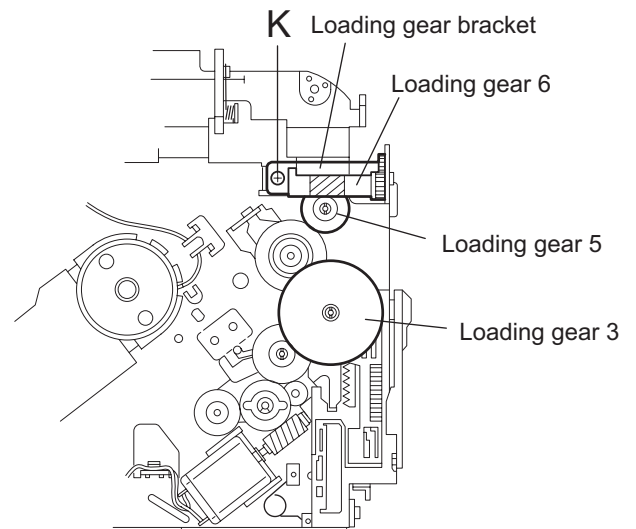


Fig.35

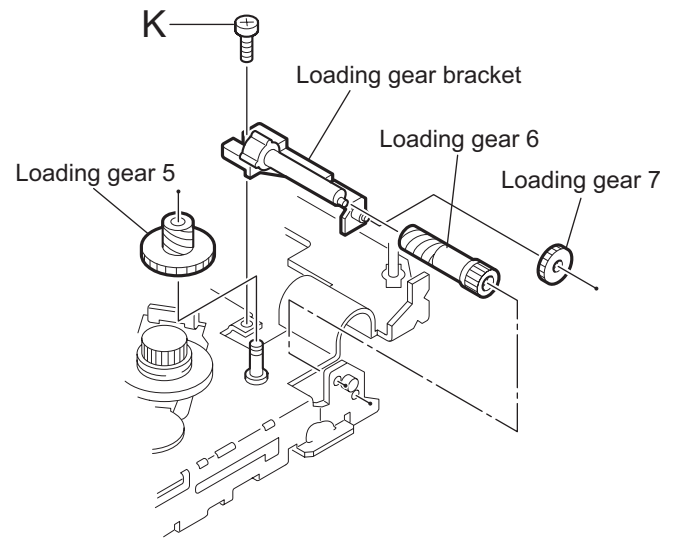


Fig.36

3.2.17 Removing the gears (See Figs.37 to 40)

- Prior to performing the following procedure, remove the top cover, chassis unit, top plate assembly and pickup unit.
- Pull out the loading gear 3. (See Fig.35.)
 - (1) Pull out the feed gear.
 - (2) Move the loading plate assembly in the direction of the arrow to release the L side plate from the two slots m' of the chassis rivet assembly. (See Fig.37.)
 - (3) Detach the loading plate assembly upward from the chassis rivet assembly while releasing the joint n'. Remove the slide hook and loading plate spring from the loading plate assembly.
 - (4) Pull out the loading gear 2 and remove the change lock lever.
 - (5) Remove the E ring and washer attaching the change gear 2.
 - (6) The change gear 2, change gear spring and adjusting washer come off.
 - (7) Remove the loading gear 1.
 - (8) Move the change plate rivet assembly in the direction of the arrow to release from the three shafts of the chassis rivet assembly upward. (See Fig.38.)
 - (9) Detach the loading gear plate rivet assembly from the shaft of the chassis rivet assembly upward while releasing the joint p'. (See Figs.38 and 40.)
 - (10) Pull out the loading gear 4.

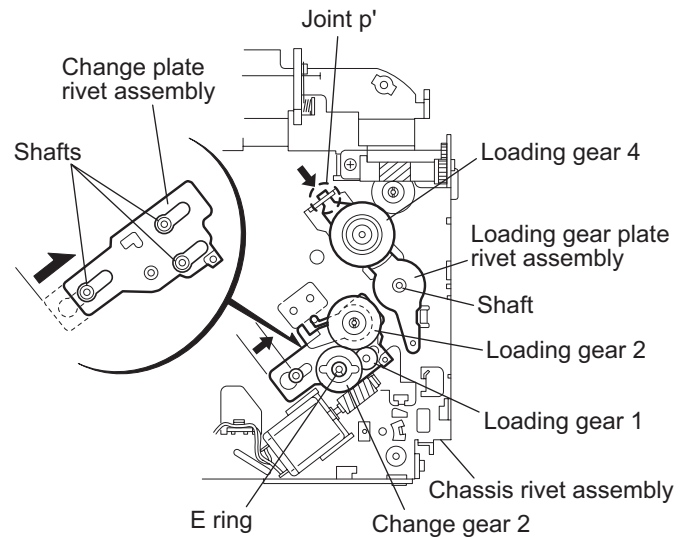
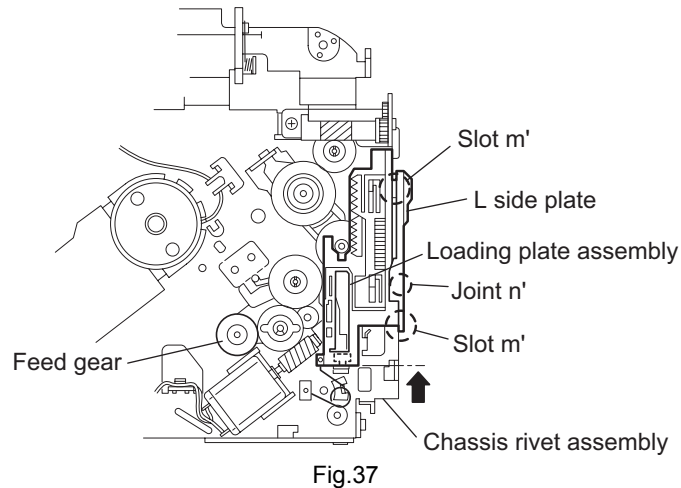


Fig.38

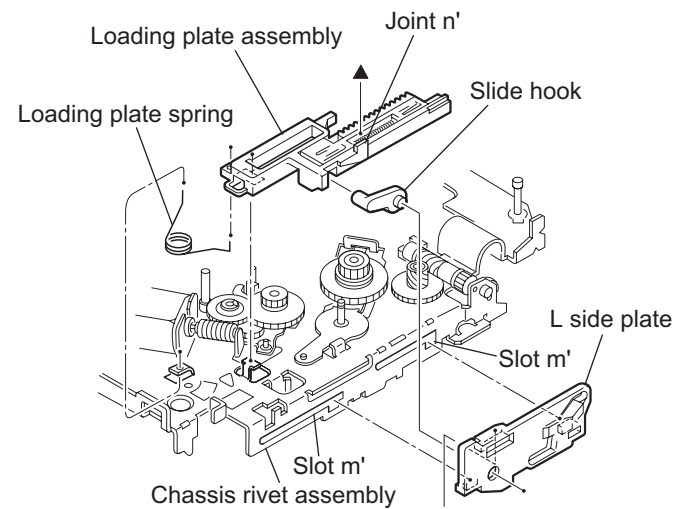


Fig.39

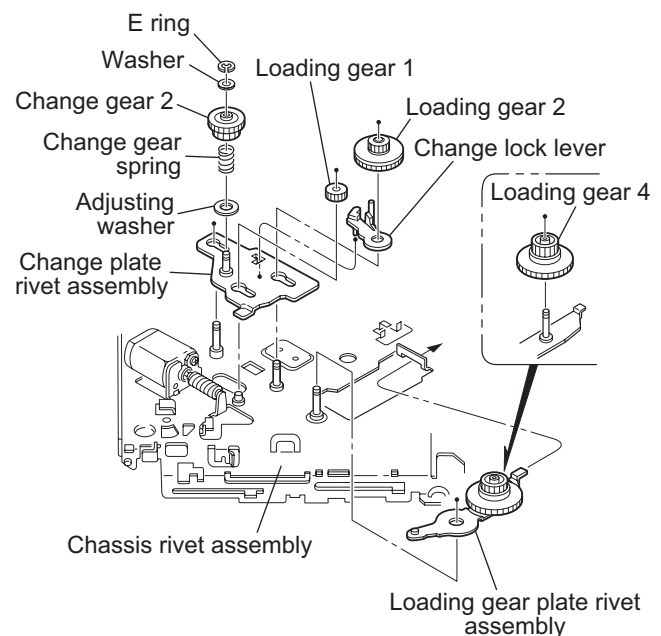
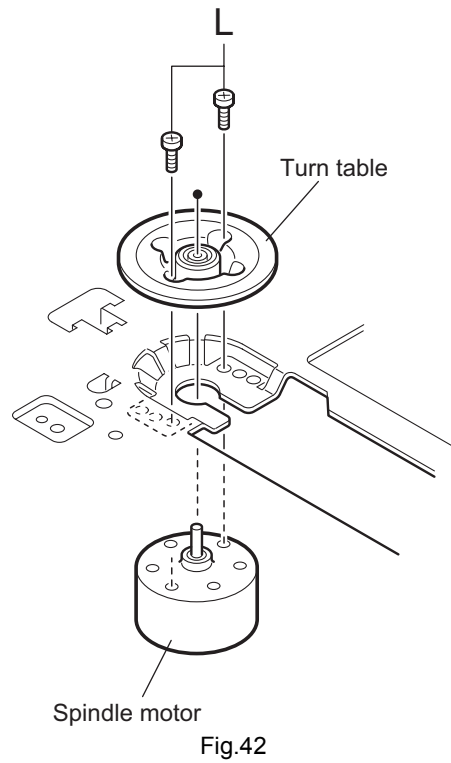
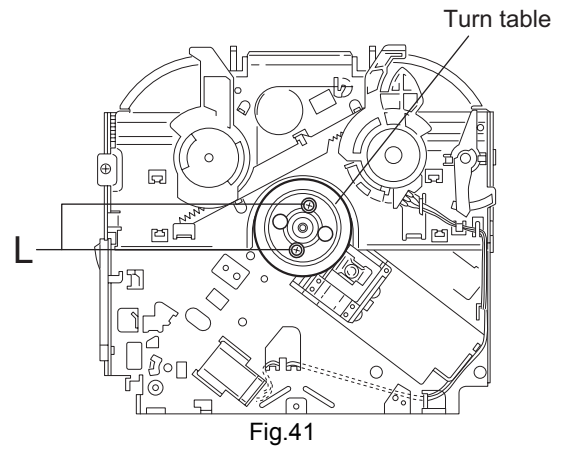


Fig.40

3.2.18 Removing the turn table / spindle motor (See Figs.41 and 42)

- Prior to performing the following procedure, remove the top cover, connector board, chassis unit and clamper assembly.
 - (1) Remove the two screws L attaching the spindle motor assembly through the slot of the turn table on top of the body.
 - (2) Unsolder the wire on the connector board if necessary.



SECTION 4 ADJUSTMENT

4.1 Adjustment method

■ Test instruments required for adjustment

- (1) Digital oscilloscope (100MHz)
- (2) Electric voltmeter
- (3) Digital tester
- (4) Tracking offset meter
- (5) Test Disc JVC :CTS-1000
- (6) Extension cable for check
EXTSH002-22P × 1

■ Standard volume position

Balance and Bass & Treble volume : Indication "0"
Loudness : OFF

■ How to connect the extension cable for adjusting

Caution:

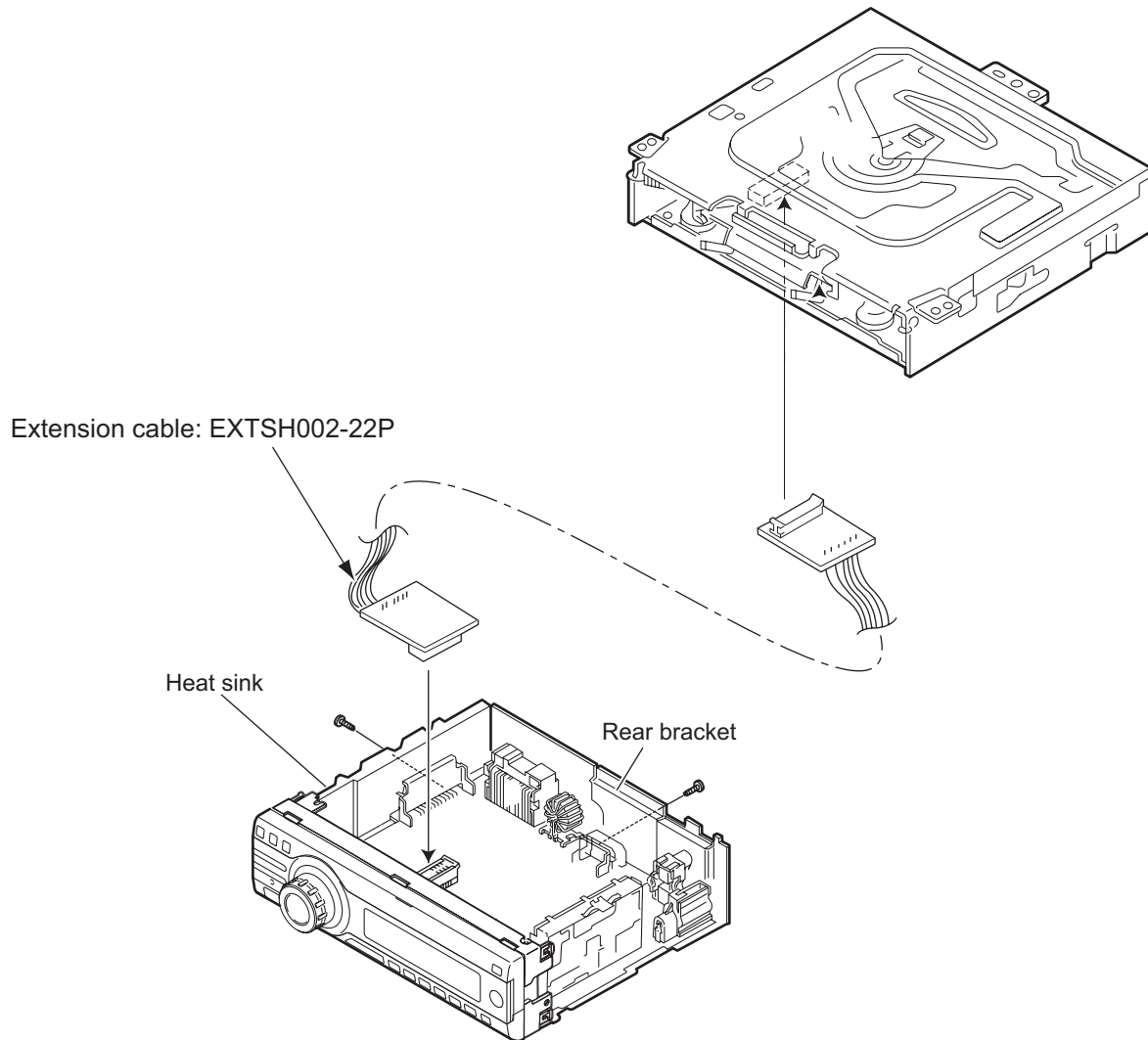
Be sure to attach the heat sink and rear bracket onto the power amplifier IC and regulator IC respectively, before supply the power. If voltage is applied without attaching these parts, the power amplifier IC and regulator IC will be destroyed by heat.

■ Standard measuring conditions

Power supply voltage	DC14.4V(11 to 16V)
Load impedance	20K Ω (2 Speakers connection)
Output Level	Line out 2.5V (Vol. MAX)

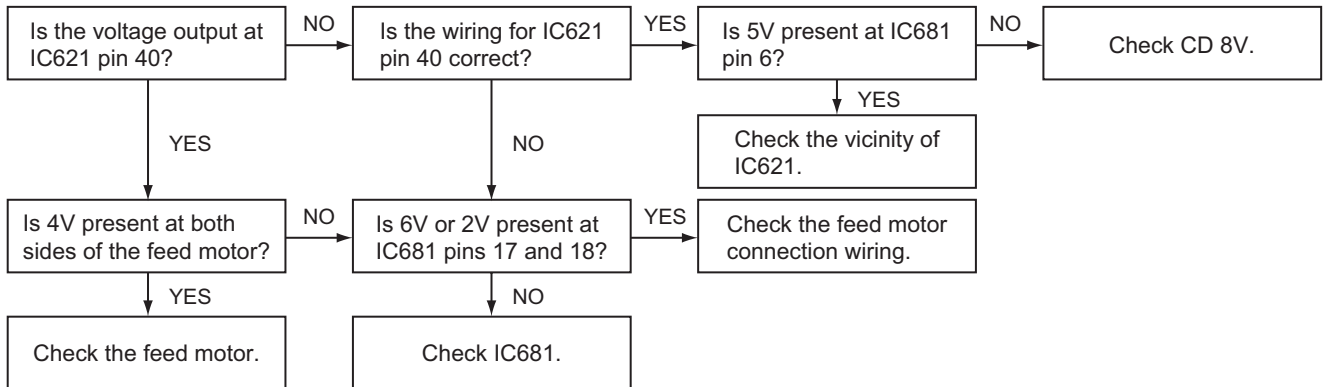
■ Dummy load

Exclusive dummy load should be used for AM, and FM. For FM dummy load, there is a loss of 6dB between SSG output and antenna input. The loss of 6dB need not be considered since direct reading of figures are applied in this working standard.

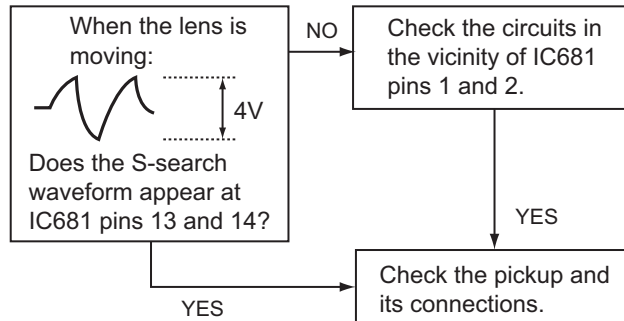


SECTION 5 TROUBLESHOOTING

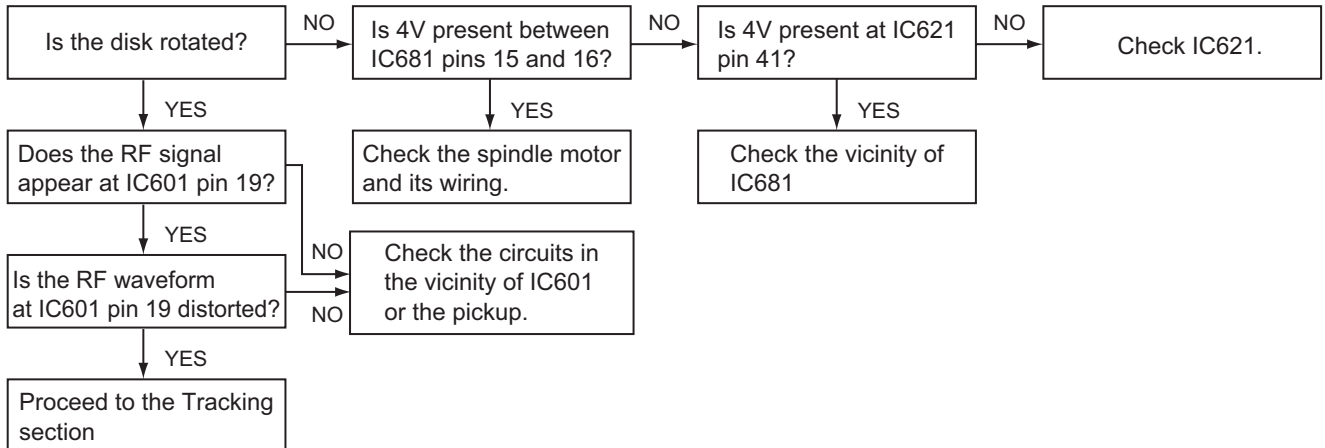
5.1 Feed section



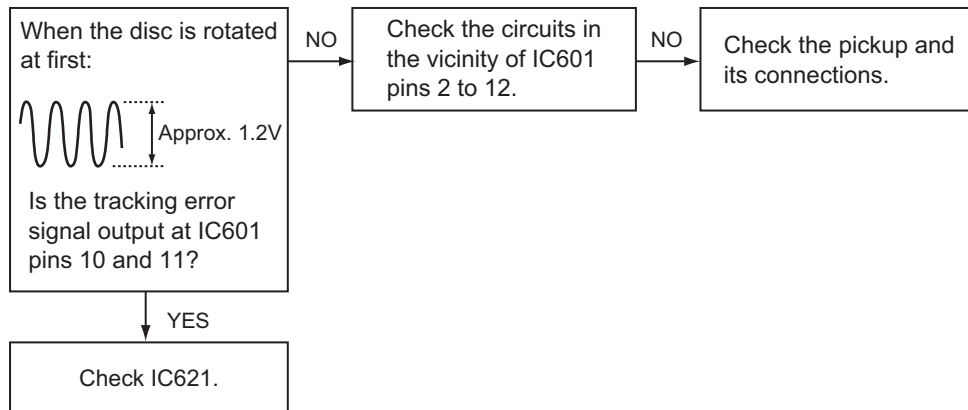
5.2 Focus section



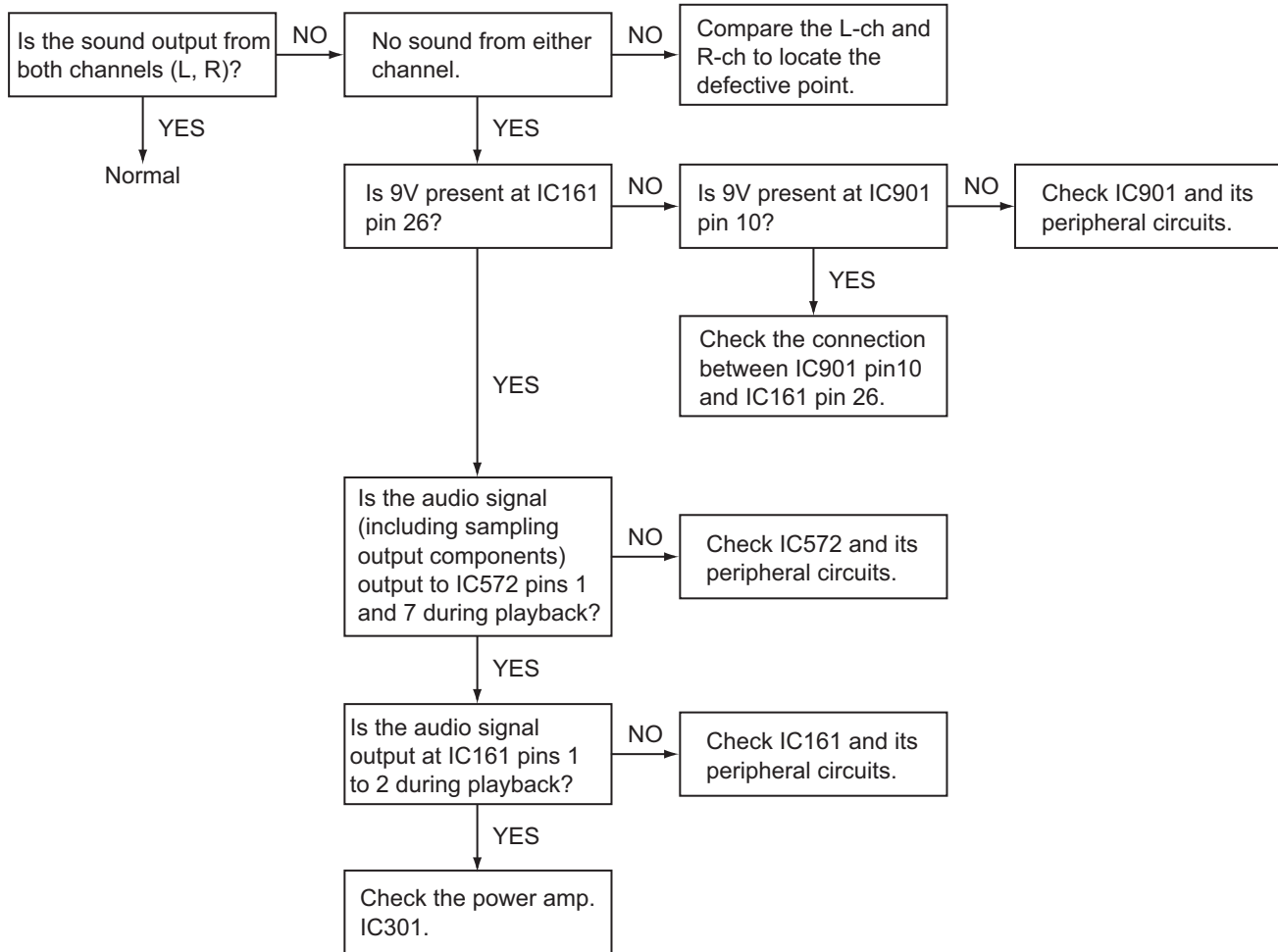
5.3 Spindle section



5.4 Tracking section



5.5 Signal processing section



5.6 Maintenance of laser pickup

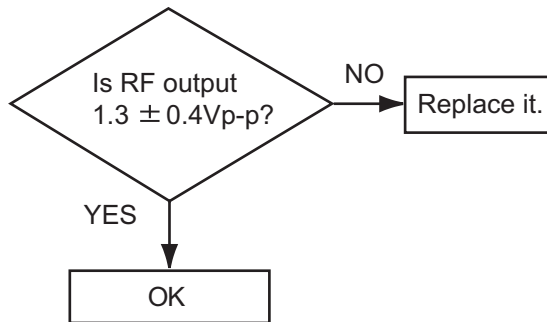
(1) Cleaning the pick up lens

Before you replace the pick up, please try to clean the lens with a alcohol soaked cotton swab.

(2) Life of the laser diode

When the life of the laser diode has expired, the following symptoms will appear.

- The level of RF output (EFM output: amplitude of eye pattern) will be low.

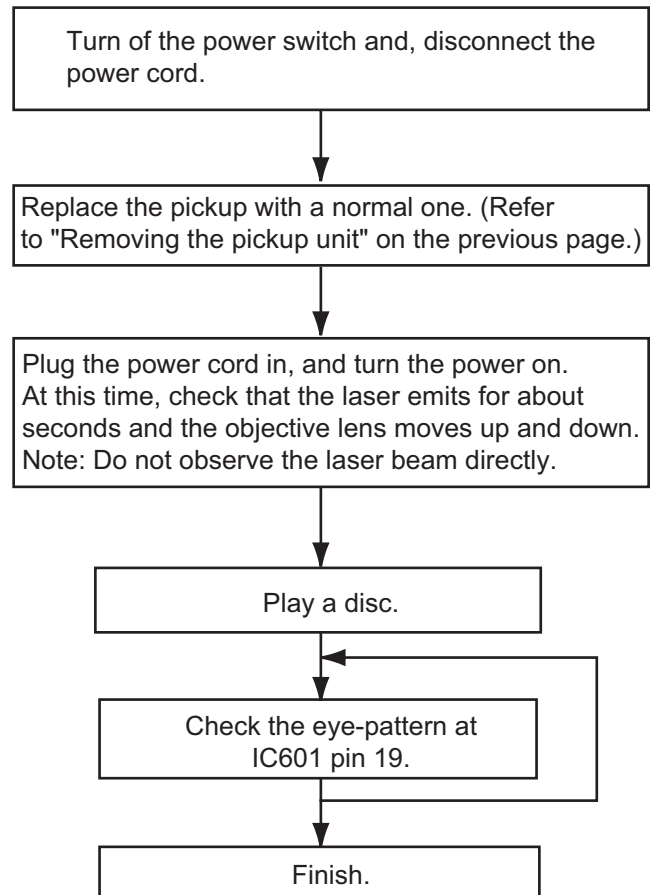


(3) Semi-fixed resistor on the APC PC board

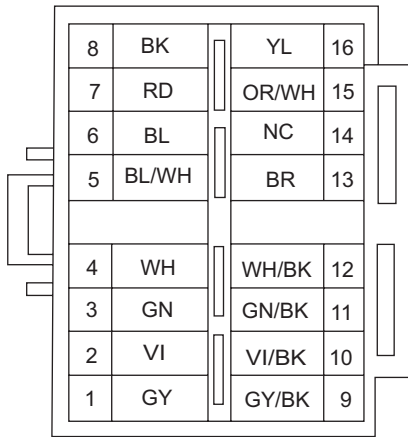
The semi-fixed resistor on the APC printed circuit board which is attached to the pickup is used to adjust the laser power. Since this adjustment should be performed to match the characteristics of the whole optical block, do not touch the semi-fixed resistor.

If the laser power is lower than the specified value, the laser diode is almost worn out, and the laser pickup should be replaced. If the semi-fixed resistor is adjusted while the pickup is functioning normally, the laser pickup may be damaged due to excessive current.

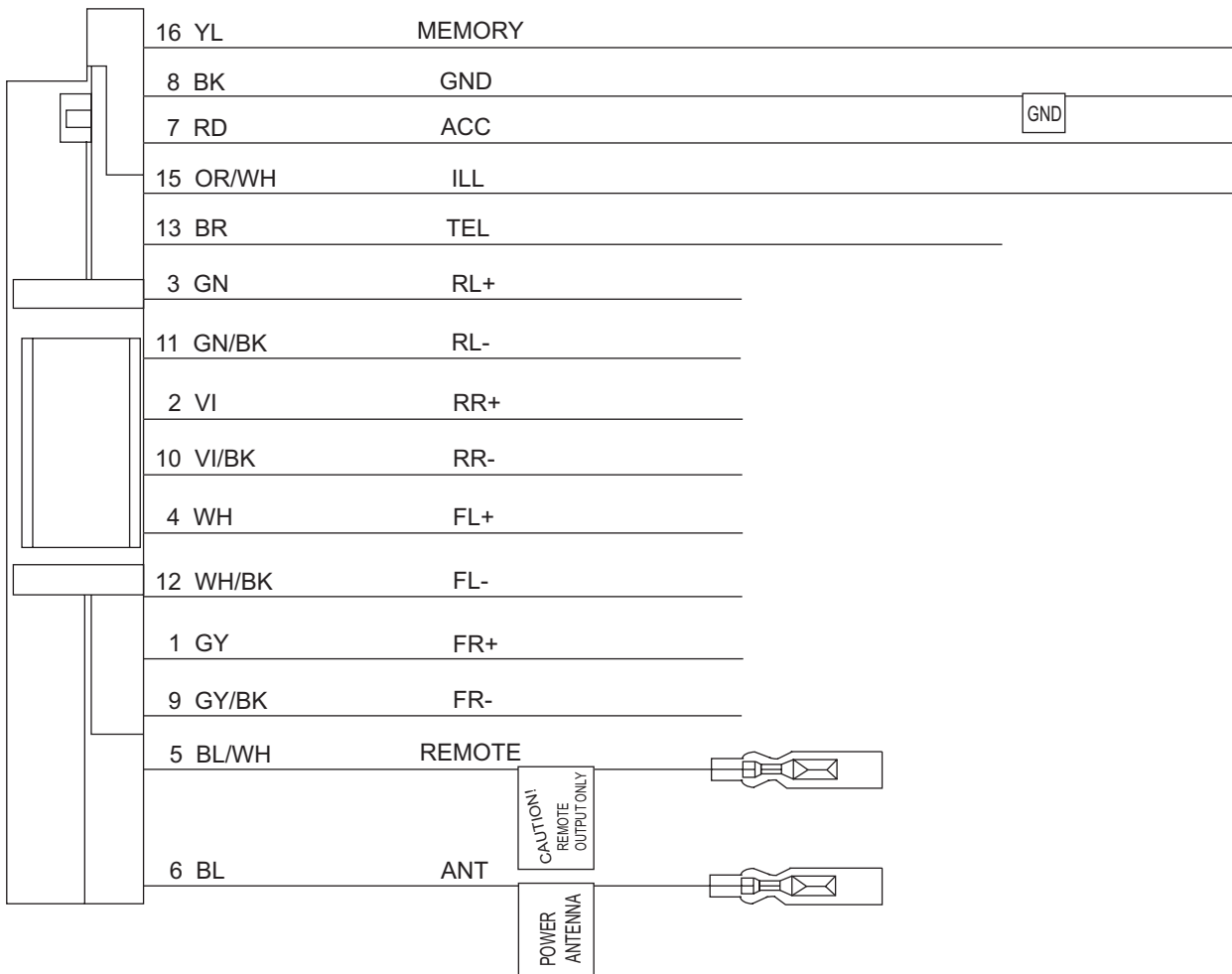
5.7 Replacement of laser pickup



5.8 16 PIN CORD DIAGRAM



BK	Black	GN	Green
RD	Red	VI	Violet
BL	Blue	GY	Gray
WH	White	YL	Yellow
BR	Brown	OR	Orange



RR	Rear Right	ANT	Auto Antenna
FR	Front Right	ACC	ACC Line
FL	Front Left	ILL	Illuminations Control
RL	Rear Left	GND	Ground
REMOTE	Remote out	MEMORY	Memory Backup Battery+
TEL	Telephone muting		



JVC

Victor Company of Japan, Limited
AV & MULTIMEDIA COMPANY CAR ELECTRONICS CATEGORY 10-1,1chome,Ohwatari-machi,Maebashi-city,371-8543,Japan

(No.MA147)

JVC

SCHEMATIC DIAGRAMS

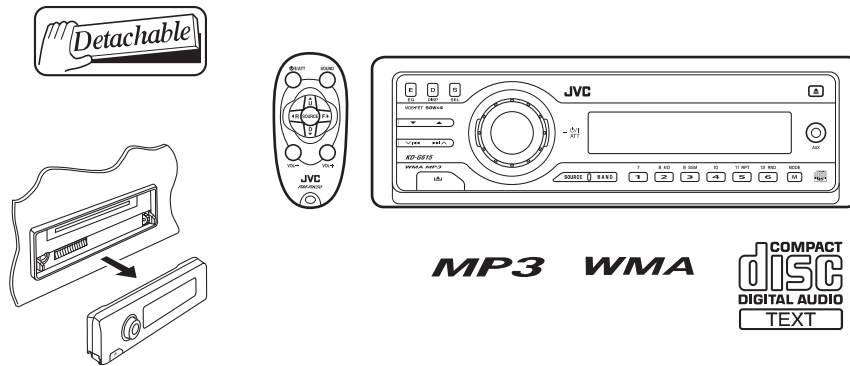
CD RECEIVER

KD-G615

CD-ROM No.SML200502

Area suffix


UT ----- Taiwan
UH ----- Thailand
UN ----- Asean
U ----- Other Areas



Contents

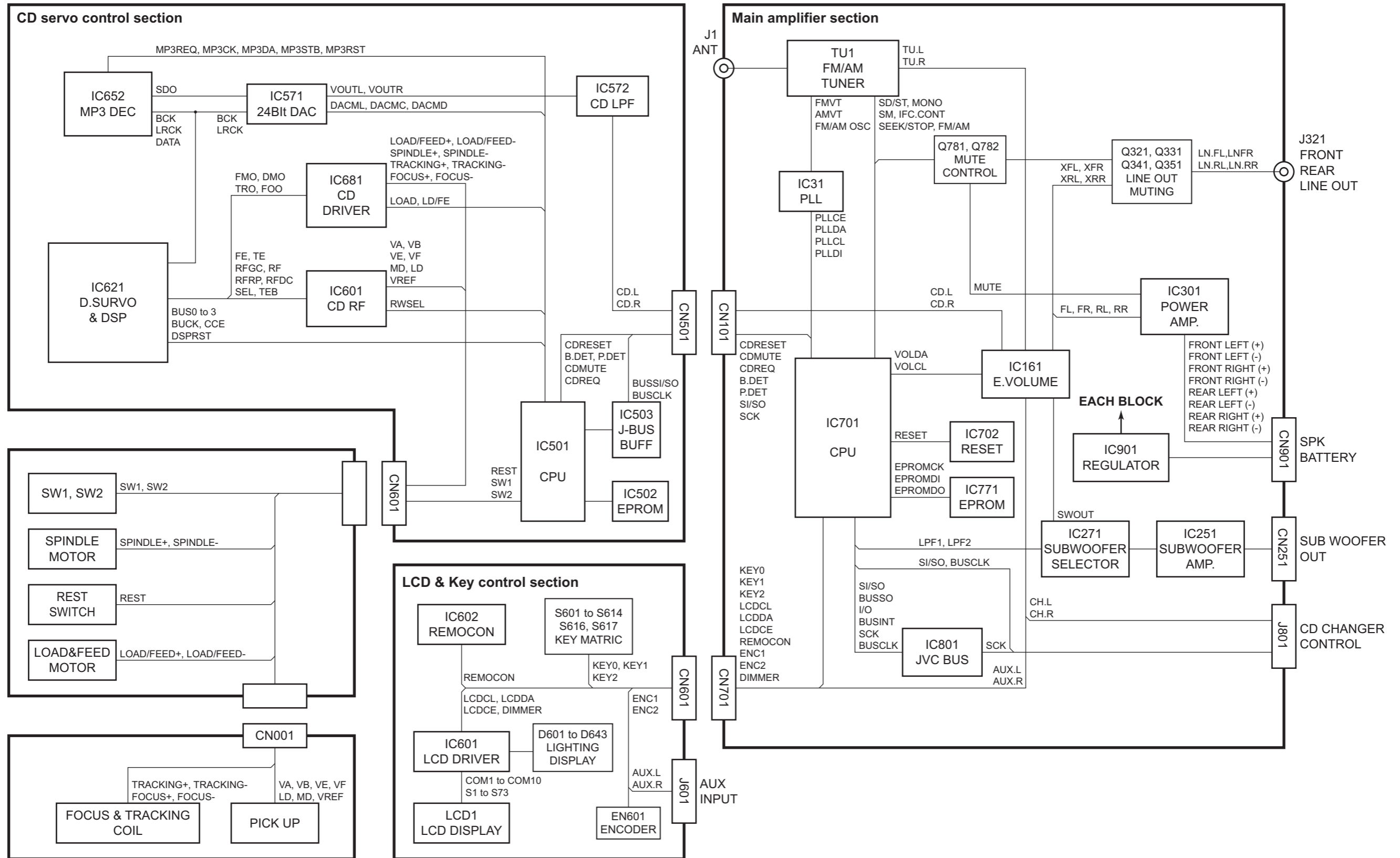
Block diagram	2-1
Standard schematic diagrams (For UT,UH,UN,U version)	2-2
Standard schematic diagrams (For UT2,UH2,UN2,U2 version)	2-5
Printed circuit boards	2-8 to 10

Safety precaution

 **CAUTION** Burrs formed during molding may be left over on some parts of the chassis. Therefore, pay attention to such burrs in the case of performing repair of this system.

 **CAUTION** Please use enough caution not to see the beam directly or touch it in case of an adjustment or operation check.

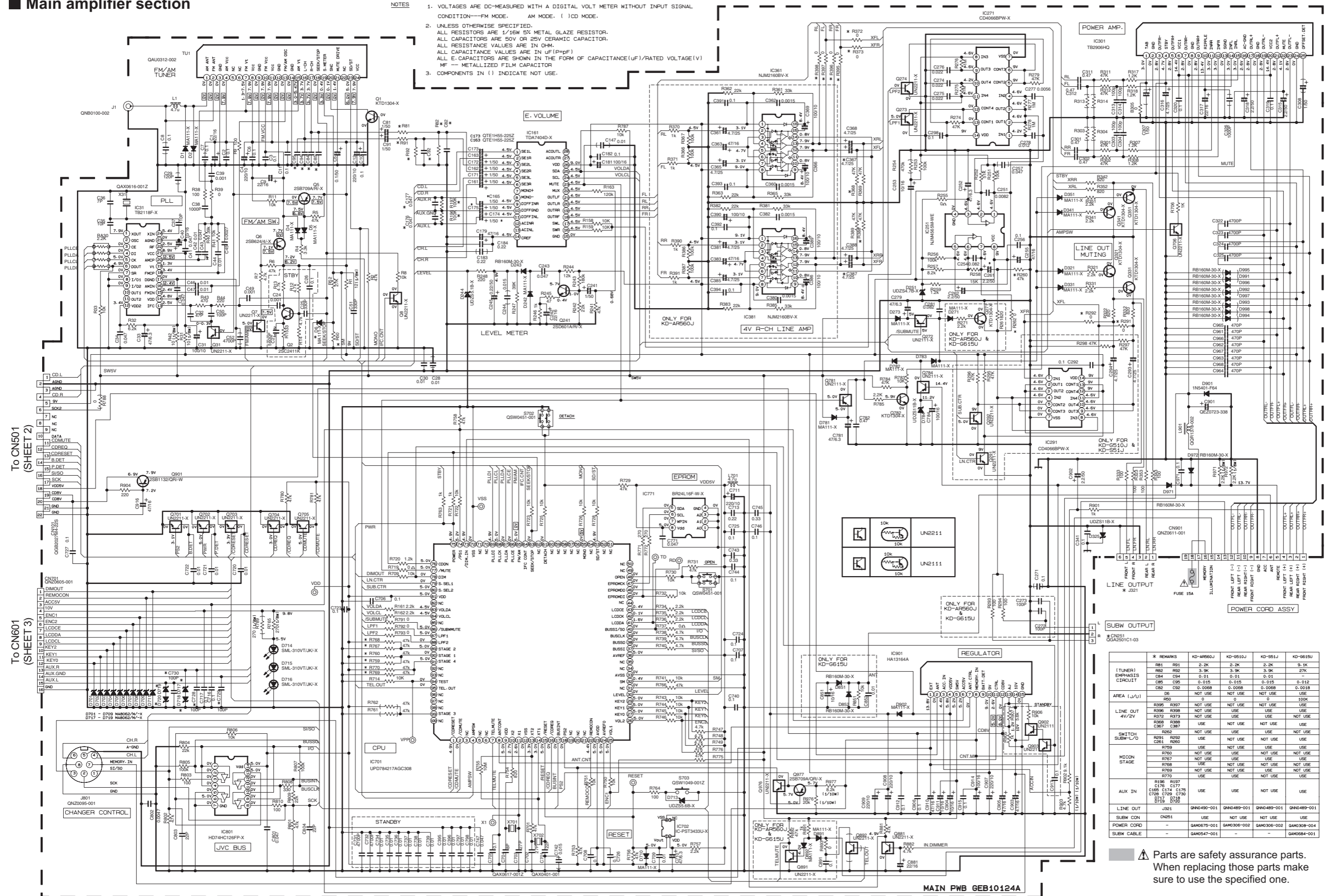
Block diagram



Standard schematic diagrams (For UT, UH, UN, U version)

Main amplifier section

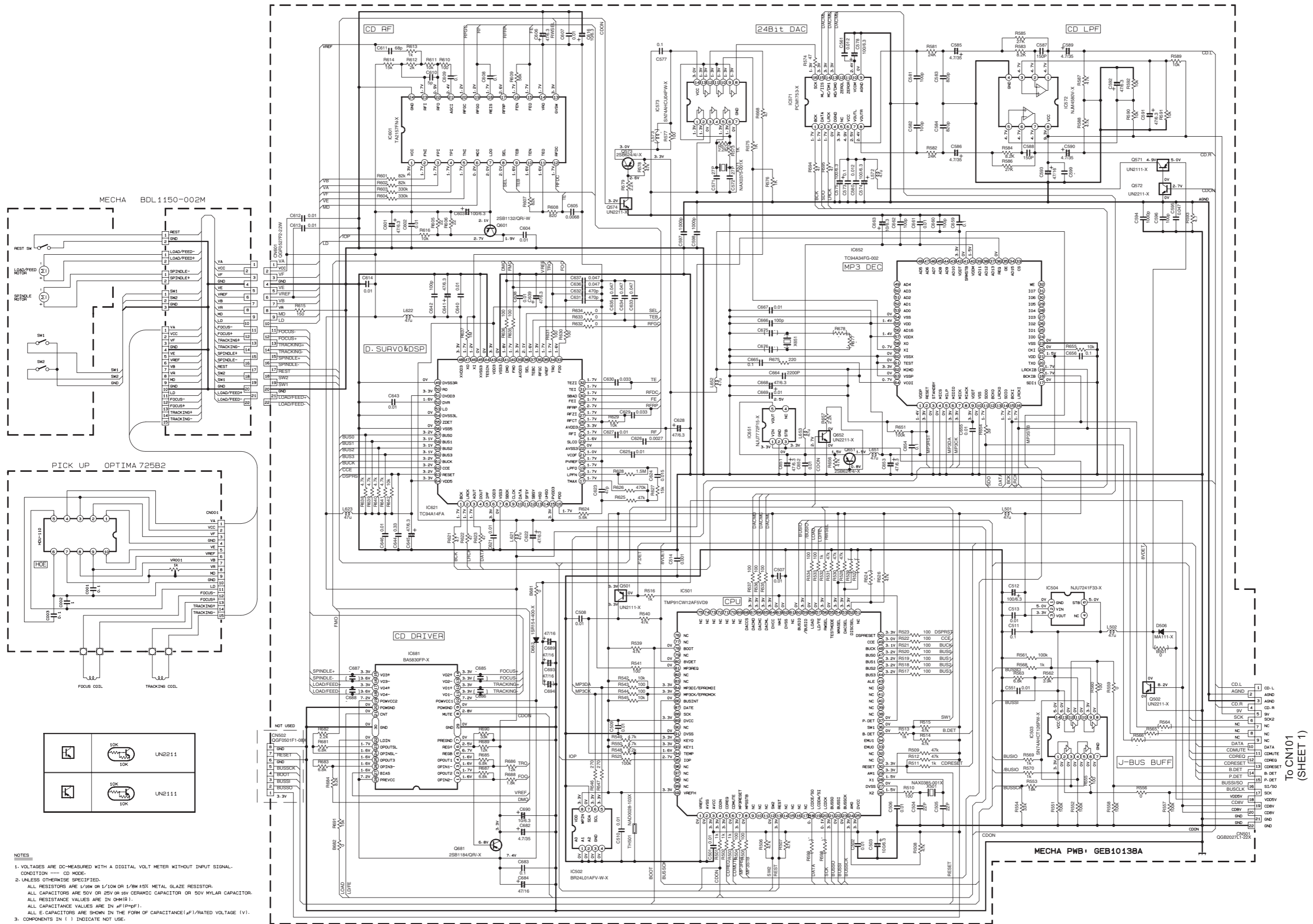
- NOTES
- VOLTAGES ARE DC-MEASURED WITH A DIGITAL VOLT METER WITHOUT INPUT SIGNAL CONDITION—FM MODE. AM MODE. () CD MODE.
 - UNLESS OTHERWISE SPECIFIED, ALL RESISTORS ARE 1/16W 5% METAL GLAZE RESISTOR. ALL CAPACITORS ARE 50V OR 25V CERAMIC CAPACITOR. ALL RESISTANCE VALUES ARE IN OHM. ALL CAPACITANCE VALUES ARE IN uF(PpF) ALL E. CAPACITORS ARE SHOWN IN THE FORM OF CAPACITANCE(uF)/RATED VOLTAGE(V) MF — METALLIZED FILM CAPACITOR
 - COMPONENTS IN () INDICATE NOT USE.



* REMARKS	KD-AR560J	KD-0510J	KD-951J	KD-0615U
[TUNER] EMPHASIS CIRCUIT	R81 R81 2.2K	2.2K	2.2K	9.1K
	R82 R82 3.9K	3.9K	3.9K	27K
	C84 C84 0.01	0.01	0.01	0.01
	C85 C85 0.015	0.015	0.015	0.012
	C82 C82 0.0068	0.0068	0.0068	0.0018
AREA (u/u)	R90	NOT USE	NOT USE	100K
LINE OUT 4V/2V	R395 R397	NOT USE	NOT USE	NOT USE
	R396 R398	NOT USE	NOT USE	NOT USE
	R372 R373	NOT USE	NOT USE	NOT USE
	R368 R369	USE	NOT USE	NOT USE
	C36 C36	USE	NOT USE	NOT USE
SWITCH SLEW-L/O	R552	NOT USE	USE	NOT USE
	R291 R292	USE	NOT USE	NOT USE
	C81 C81	USE	NOT USE	NOT USE
MIC/ON STAGE	R759	USE	NOT USE	USE
	R760	NOT USE	USE	NOT USE
	R767	NOT USE	USE	NOT USE
	R768	USE	NOT USE	NOT USE
	R769	NOT USE	NOT USE	NOT USE
	R770	USE	USE	NOT USE
AUX IN	R116 R117	USE	USE	NOT USE
	C176 C177	USE	USE	USE
	C798 C799	USE	USE	USE
	D719 D719	USE	USE	USE
LINE OUT	J321	GND490-001	GND489-001	GND489-001
SUBW CON	CN251	USE	NOT USE	NOT USE
POWER CORD	-	GAM0675-001	GAM0306-002	GAM0306-004
SUBW CABLE	-	GAM0457-001	-	GAM0684-001

Parts are safety assurance parts. When replacing those parts make sure to use the specified one.

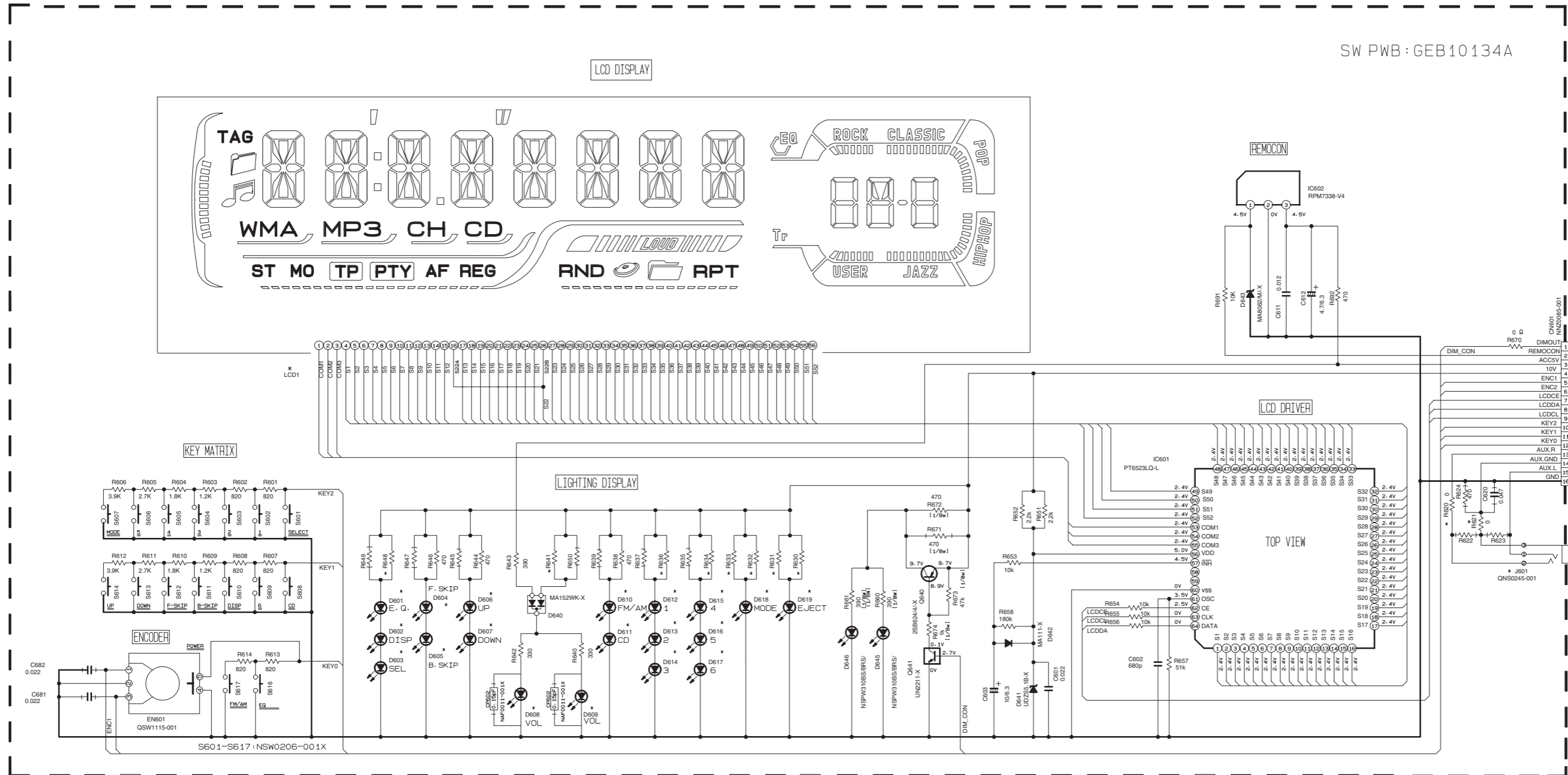
CD servo control section



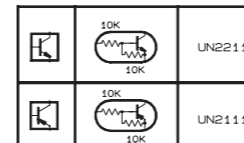
NOTES

- VOLTAGES ARE DC-MEASURED WITH A DIGITAL VOLT METER WITHOUT INPUT SIGNAL. CONDITION — CD MODE.
- UNLESS OTHERWISE SPECIFIED. ALL RESISTORS ARE 1/10W OR 1/10W OR 1/8W ±5% METAL GLAZE RESISTOR. ALL CAPACITORS ARE 50V OR 25V OR 16V CERAMIC CAPACITOR OR 50V MYLAR CAPACITOR. ALL RESISTANCE VALUES ARE IN OHM(Ω). ALL CAPACITANCE VALUES ARE IN pF(pF). ALL E. CAPACITORS ARE SHOWN IN THE FORM OF CAPACITANCE(F)/RATED VOLTAGE (V).
- COMPONENTS IN () INDICATE NOT USE.

■ LCD & Key control section



* REMARKS	KD-AR560J	KD-G510J	KD-S51J	KD-G615U
D610-D619	SML-310VT/JK/-X	SML-310VT/JK/-X	SML-310VT/JK/-X	SML-310VT/JK/-X
D608-D609	SML-310VT/JK/-X	SML-310VT/JK/-X	SML-310VT/JK/-X	CL-190UB2-X-X
R620 R621 J601	USE	USE	NOT USE	USE
R630	1.2K	1K	1K	1K
R631	1.2K	-	-	-
R632	1.2K	820	820	820
R633	1.2K	-	-	-
R634 R636 R648	270	330	330	330
R641	390	200	200	180
LCD1	QLD0349-001	QLD0349-001	QLD0349-001	QLD0354-001



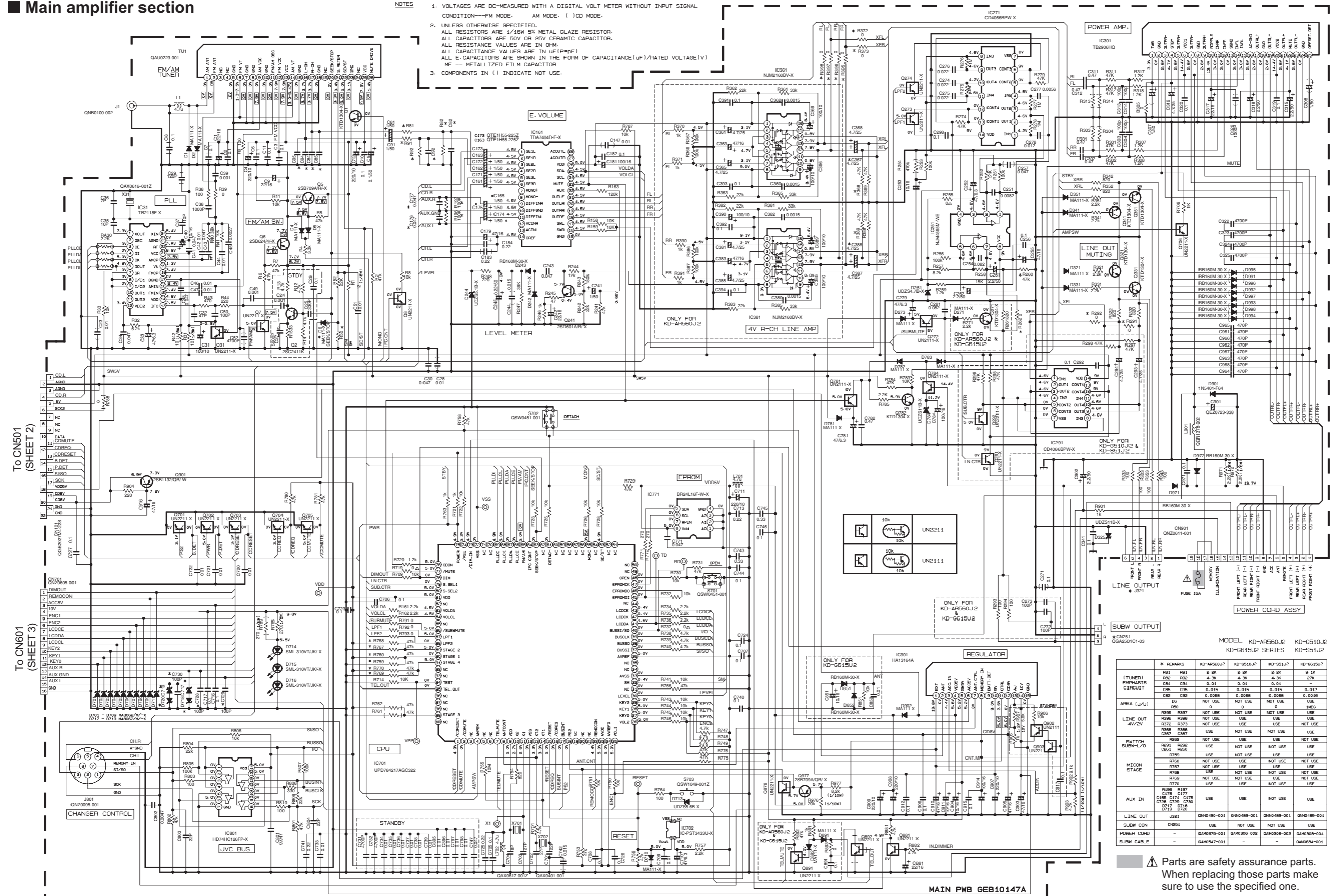
NOTES

- VOLTAGES ARE DC-MEASURED WITH A DIGITAL VOLT METER WITHOUT INPUT SIGNAL.
- UNLESS OTHERWISE SPECIFIED, ALL RESISTORS ARE 1/16W METAL GLAZE RESISTORS. ALL CAPACITORS ARE 50V OR 25V CERAMIC CAPACITOR. ALL RESISTANCE VALUES ARE IN OHM. ALL CAPACITANCE VALUES ARE IN uF(P=pF) ALL E-CAPACITORS ARE SHOWN IN THE FORM OF CAPACITANCE(uF)/RATED VOLTAGE(V) T --- TANTALUM CAPACITOR.
- COMPONENTS IN () INDICATE NOT USE.

Standard schematic diagrams (For UT2, UH2, UN2, U2 version)

Main amplifier section

- NOTES
1. VOLTAGES ARE DC-MEASURED WITH A DIGITAL VOLT METER WITHOUT INPUT SIGNAL.
CONDITION—FM MODE. AM MODE. () CD MODE.
 2. UNLESS OTHERWISE SPECIFIED, ALL RESISTORS ARE 1/16W 5% METAL GLAZE RESISTOR. ALL CAPACITORS ARE 50V OR 25V CERAMIC CAPACITOR. ALL RESISTANCE VALUES ARE IN OHM. ALL CAPACITANCE VALUES ARE IN UF(P=F). ALL E-CAPACITORS ARE SHOWN IN THE FORM OF CAPACITANCE(UF)/RATED VOLTAGE(V). MF — METALLIZED FILM CAPACITOR.
 3. COMPONENTS IN () INDICATE NOT USE.

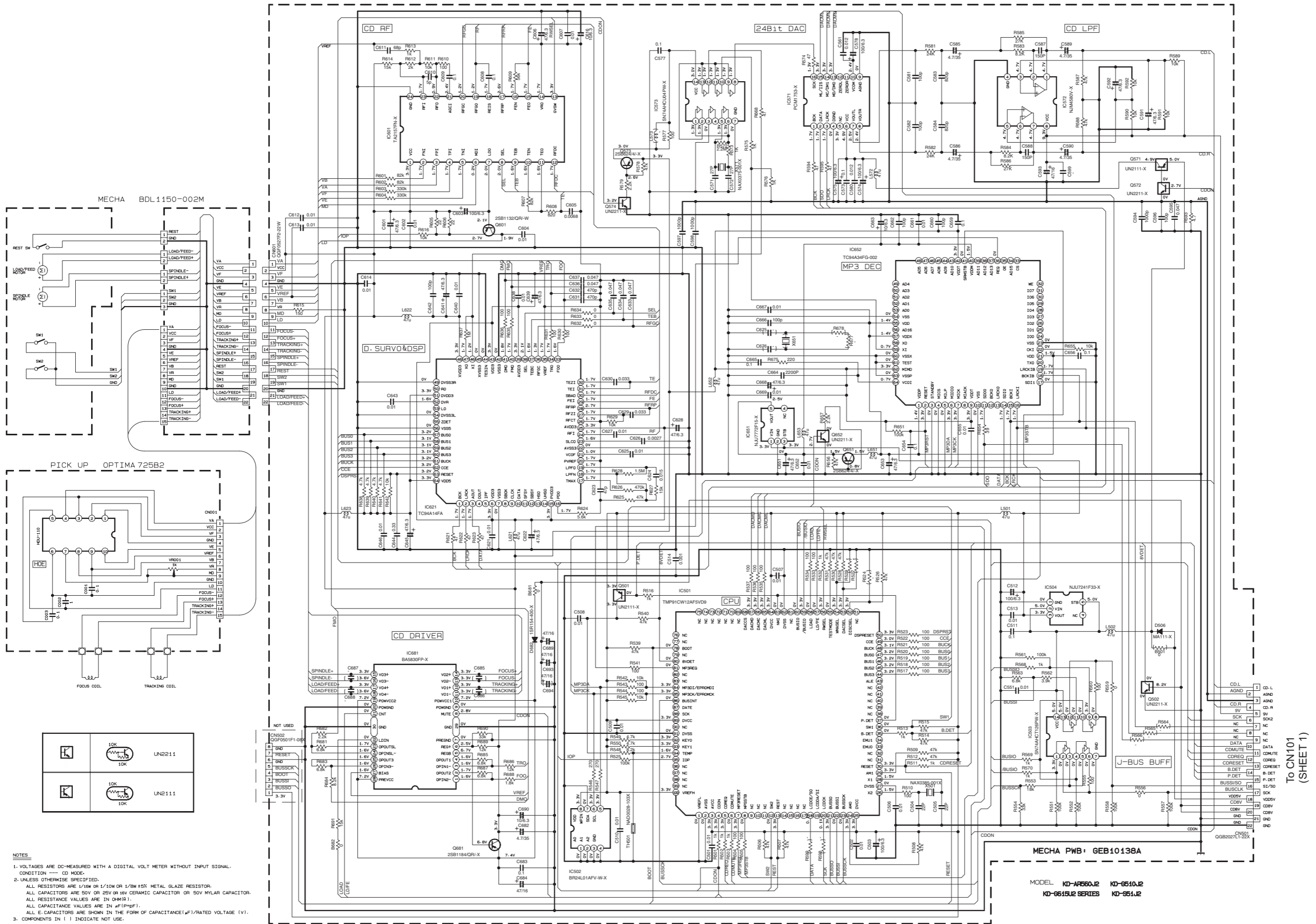


MODEL KD-AR560J2 KD-6510J2
KD-6515J2 SERIES KD-551J2

	* REMARKS	KD-AR560J2	KD-6510J2	KD-6515J2	KD-551J2
(TUNER)	R81	2.2K	2.2K	2.2K	9.1K
EMPHASIS	R82	4.3K	4.3K	4.3K	27K
CIRCUIT	C84	0.01	0.01	0.01	0.01
	C85	0.015	0.015	0.015	0.012
	C82	0.0068	0.0068	0.0068	0.0016
AREA (J/U)	D6	NOT USE	NOT USE	NOT USE	USE
	R50	0	0	0	USE
LINE OUT	R395	R397	NOT USE	NOT USE	USE
4V/2V	R372	R373	NOT USE	USE	USE
	R368	R368	USE	NOT USE	USE
SWITCH	R367	R367	USE	NOT USE	USE
SUBW-LO	R891	R892	USE	NOT USE	USE
	C84	C84	USE	NOT USE	USE
MICRON	R769	NOT USE	USE	USE	USE
STAGE	R767	NOT USE	USE	USE	USE
	R768	USE	NOT USE	NOT USE	USE
	R769	NOT USE	NOT USE	USE	USE
	R770	USE	USE	NOT USE	USE
AUX IN	R198	R197	USE	NOT USE	USE
	C176	C177	USE	NOT USE	USE
LINE OUT	C186	C174	USE	NOT USE	USE
	C178	C729	USE	NOT USE	USE
	C175	C730	USE	NOT USE	USE
	C177	C728	USE	NOT USE	USE
	C179	C731	USE	NOT USE	USE
	C174	C727	USE	NOT USE	USE
SUBW CON	CN251	USE	NOT USE	USE	USE
POWER CORD	GAM0675-001	GAM0306-002	GAM0306-002	GAM0306-004	GAM0306-004
SUBW CABLE	GAM0547-001	-	-	GAM0547-001	-

Parts are safety assurance parts. When replacing those parts make sure to use the specified one.

CD servo control section



NOTES

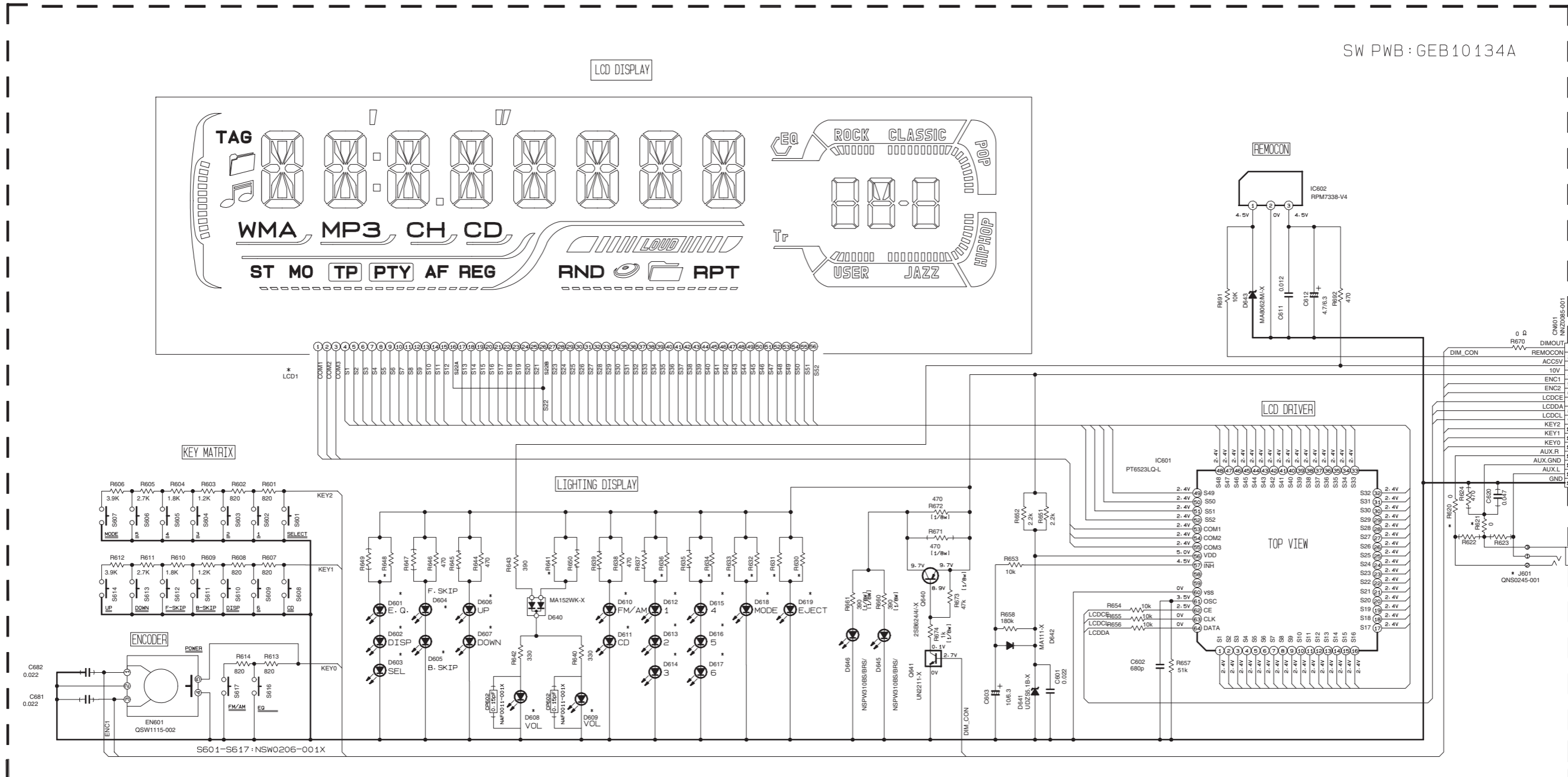
1. VOLTAGES ARE DC-MEASURED WITH A DIGITAL VOLT METER WITHOUT INPUT SIGNAL. CONDITION --- CD MODE.
2. UNLESS OTHERWISE SPECIFIED, ALL RESISTORS ARE 1/16W OR 1/10W OR 1/8W ±5% METAL GLAZE RESISTOR. ALL CAPACITORS ARE 50V OR 25V OR 16V CERAMIC CAPACITOR OR 50V MYLAR CAPACITOR. ALL RESISTANCE VALUES ARE IN OHM(Ω). ALL CAPACITANCE VALUES ARE IN pF(pF).
3. ALL E. CAPACITORS ARE SHOWN IN THE FORM OF CAPACITANCE(pF)/RATED VOLTAGE (V). COMPONENTS IN () INDICATE NOT USE.

MECHA PWB: GEB10138A
 MODEL KD-ARE60.2 KD-6510.2
 KD-6615U.2 SERIES KD-651.2

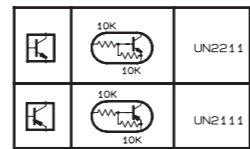
To CN101 (SHEET 1)

■ LCD & Key control section

SW PWB : GEB10134A



* REMARKS	KD-AR560J2	KD-G510J2	KD-S51J2	KD-G615U2
D610-D619	D601-D607	SML-310VT/JK/-X	SML-310VT/JK/-X	SML-310VT/JK/-X
	D608-D609	SML-310VT/JK/-X	SML-310VT/JK/-X	CL-190UB2-X-X
R620 R621 J601	USE	USE	NOT USE	USE
R630	1.2K	1K	1K	1K
R631	1.2K	-	-	-
R632	1.2K	820	820	820
R633	1.2K	-	-	-
R634 R636 R648	270	330	330	330
R641	390	200	200	180
LCD1	QLD0349-001	QLD0349-001	QLD0349-001	QLD0354-001



- NOTES
- VOLTAGES ARE DC-MEASURED WITH A DIGITAL VOLT METER WITHOUT INPUT SIGNAL.
 - UNLESS OTHERWISE SPECIFIED, ALL RESISTORS ARE 1/16W METAL GLAZE RESISTORS. ALL CAPACITORS ARE 50V OR 25V CERAMIC CAPACITOR. ALL RESISTANCE VALUES ARE IN OHM. ALL CAPACITANCE VALUES ARE IN uF(P=pF) ALL E. CAPACITORS ARE SHOWN IN THE FORM OF CAPACITANCE(uF)/RATED VOLTAGE(V) T --- TANTALUM CAPACITOR.
 - COMPONENTS IN () INDICATE NOT USE.

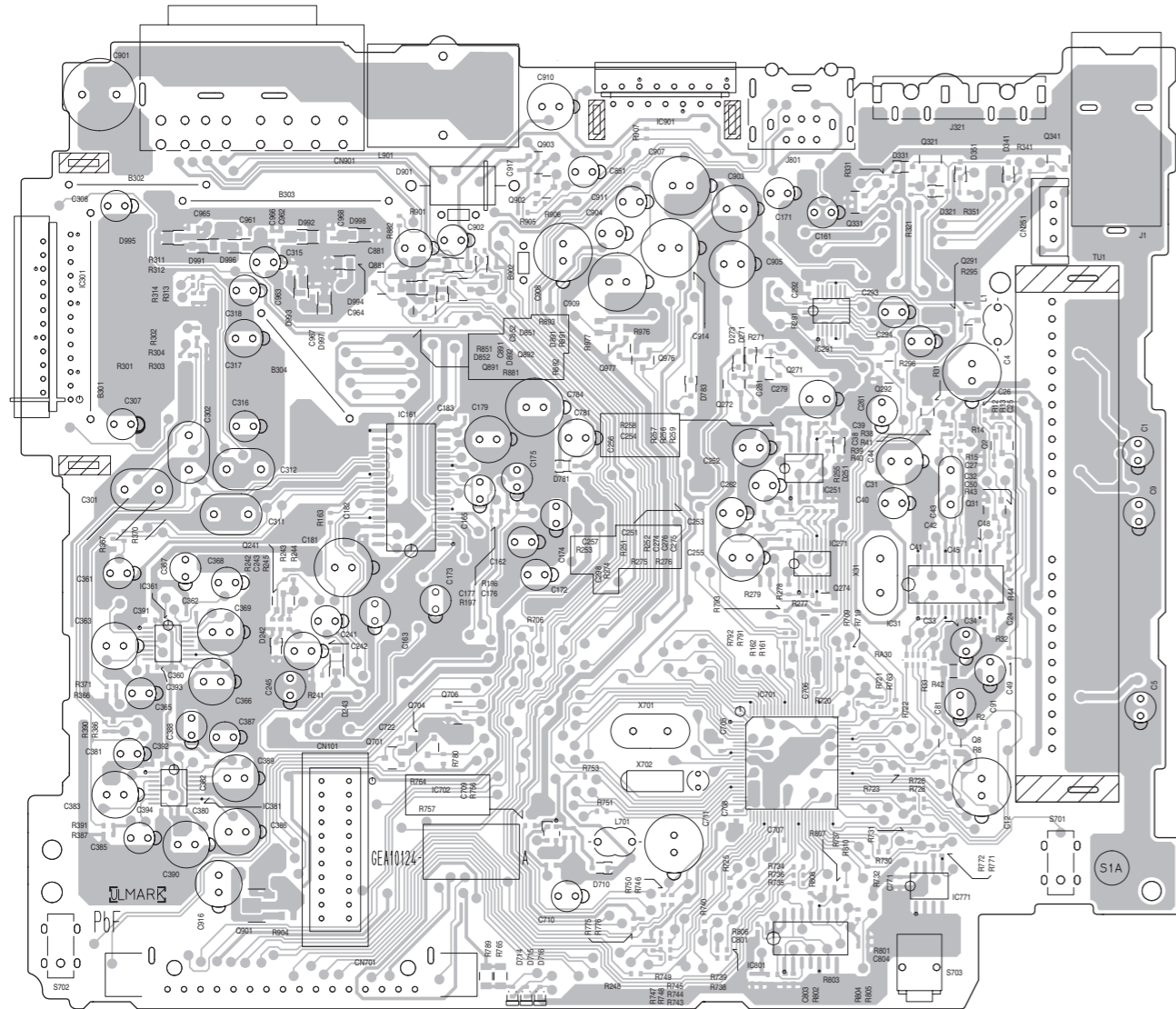
MODEL: KD-AR560J2 KD-G510J2
KD-G615U2 SERIES KD-S51J2

To CN701 (SHEET 1)

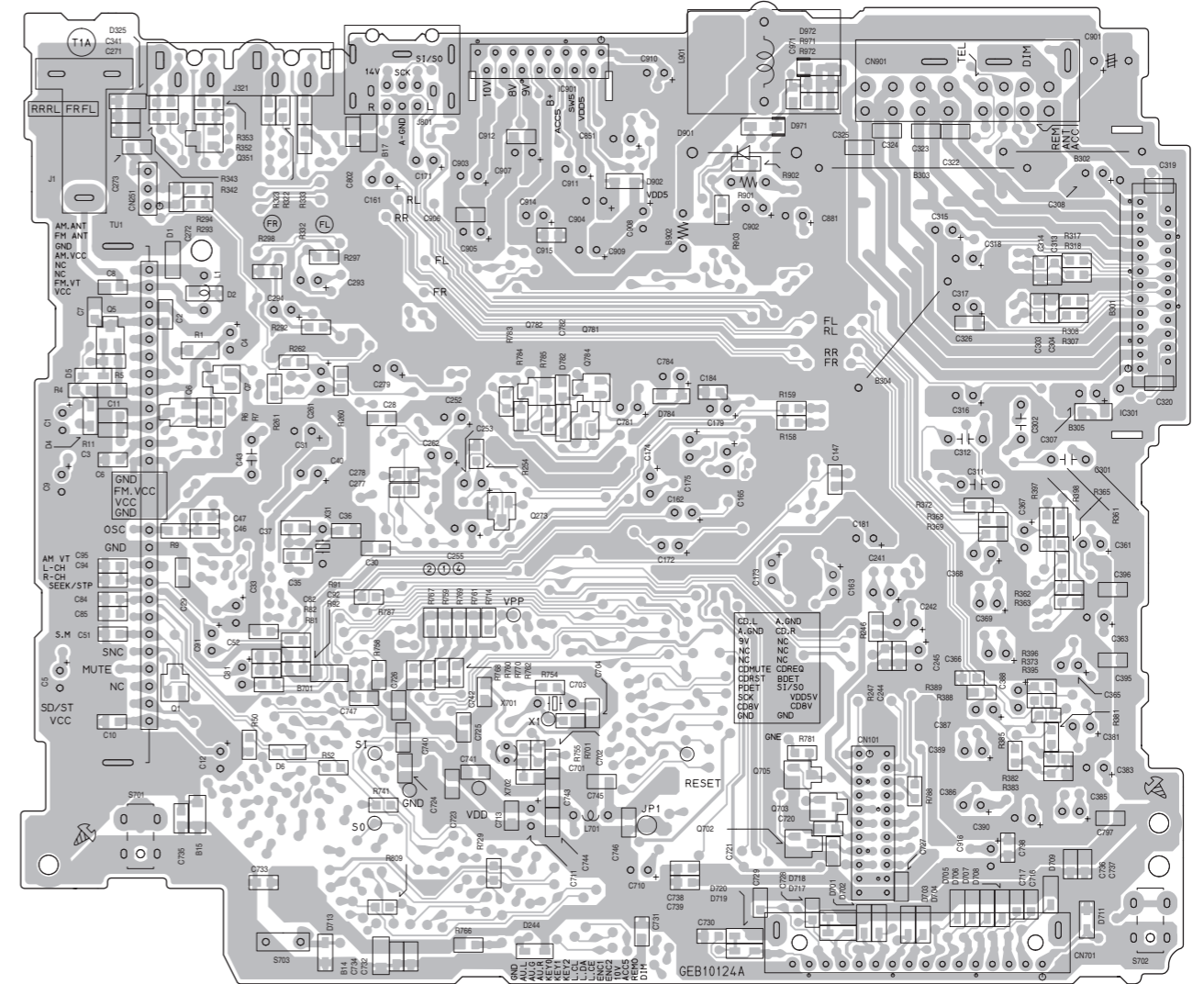
Printed circuit boards

■ Main board (For UT, UH, UN U version)

Forward side

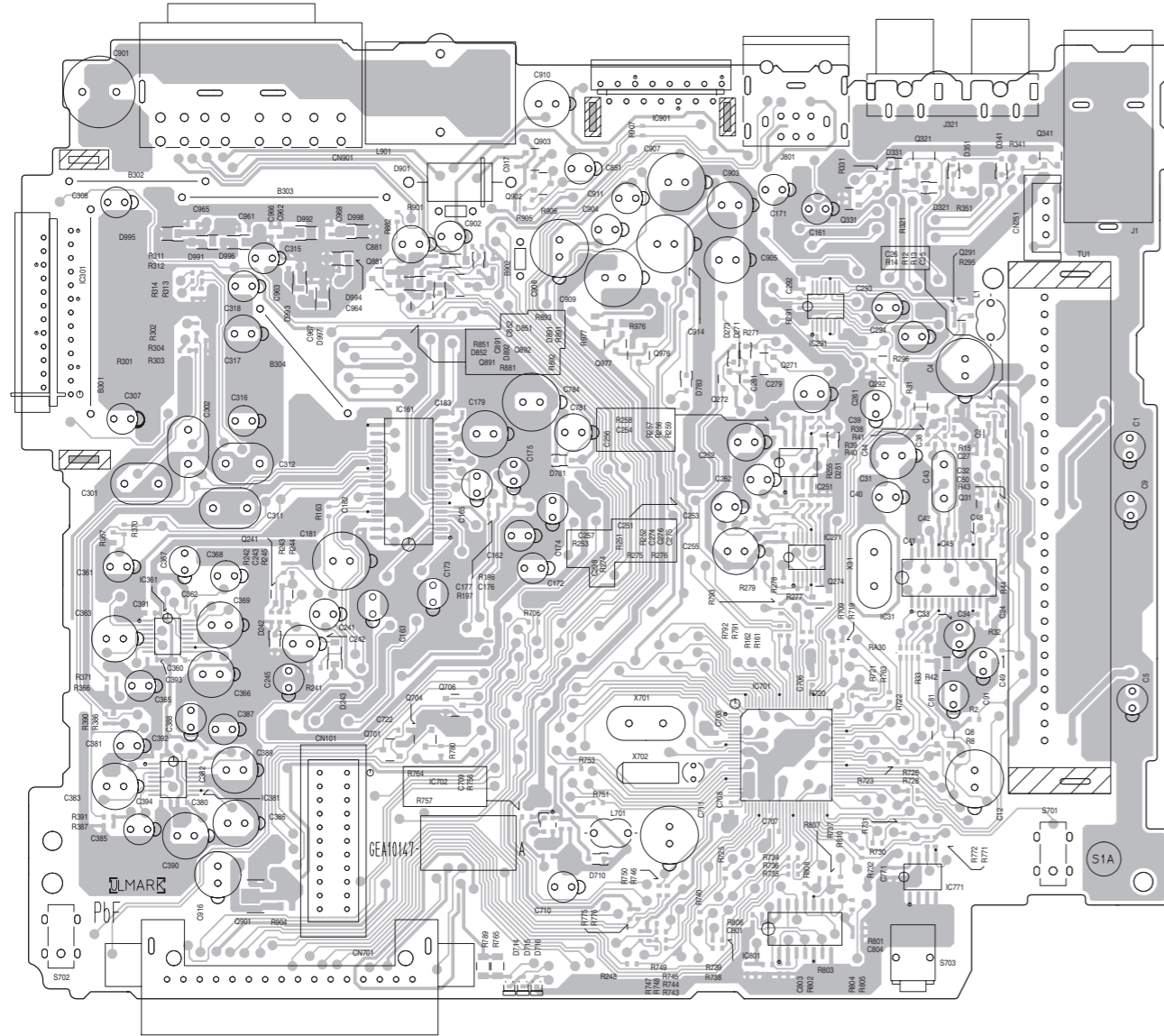


Reverse side

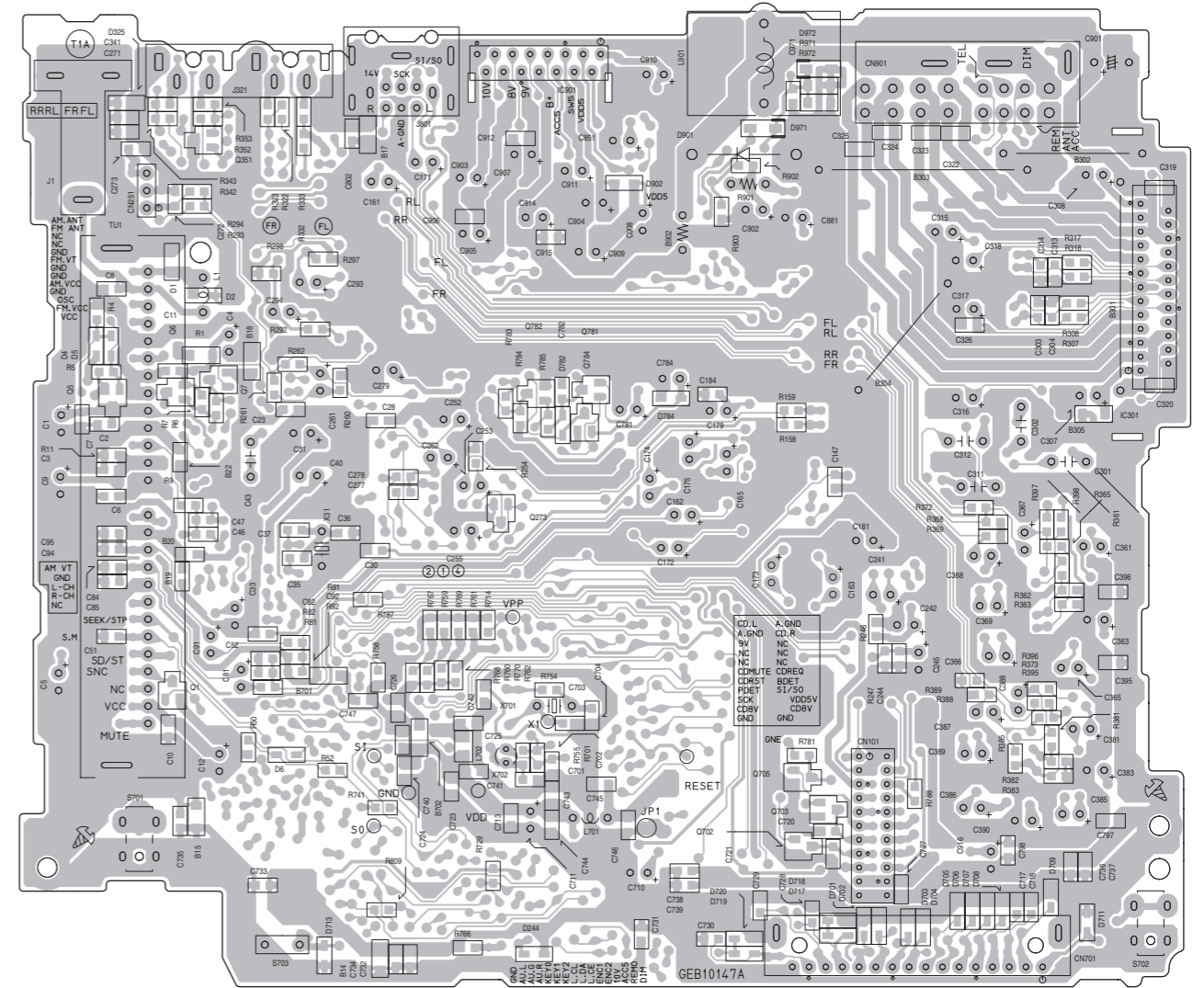


■ Main board (For UT2, UH2, UN2, U2 version)

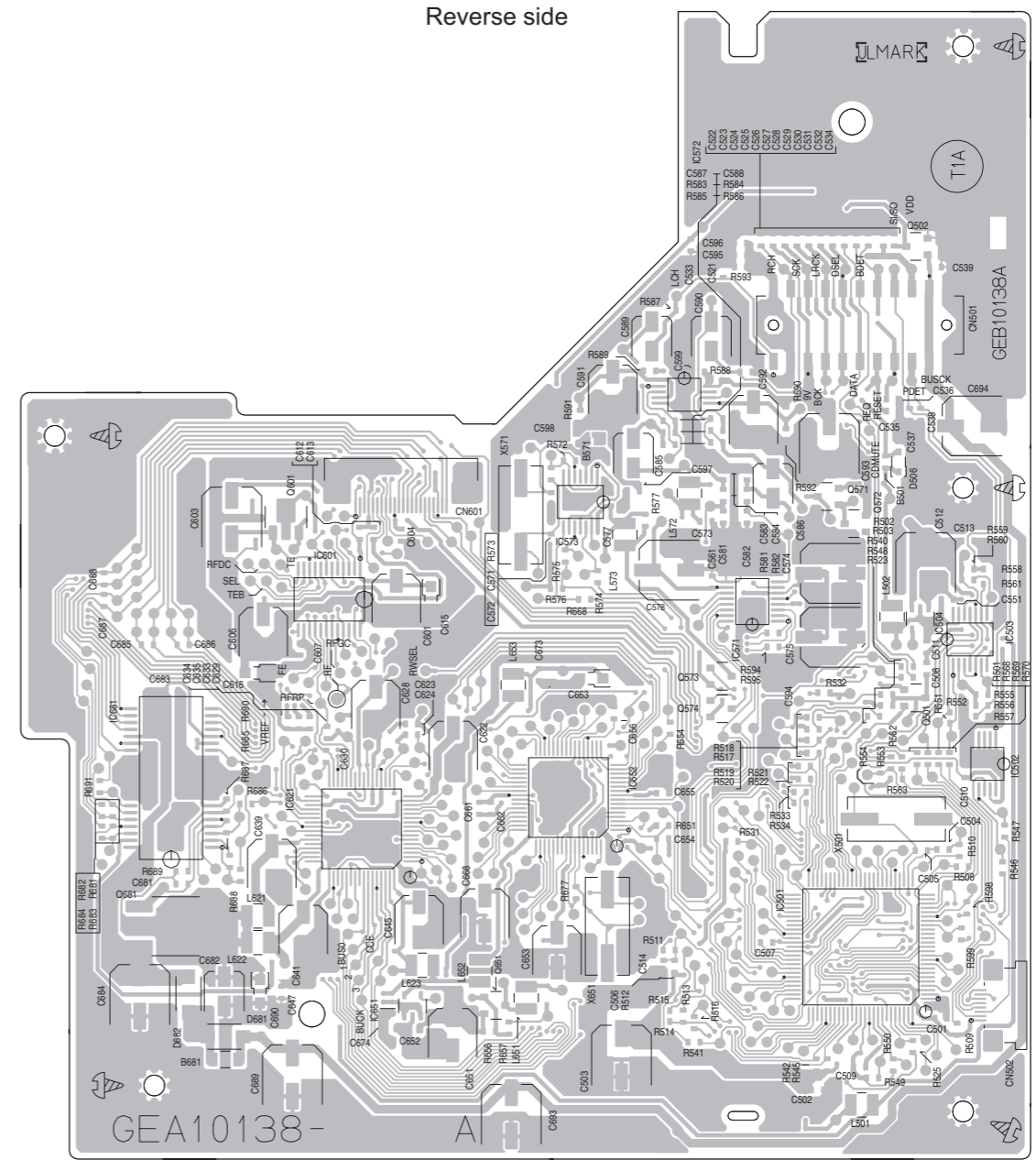
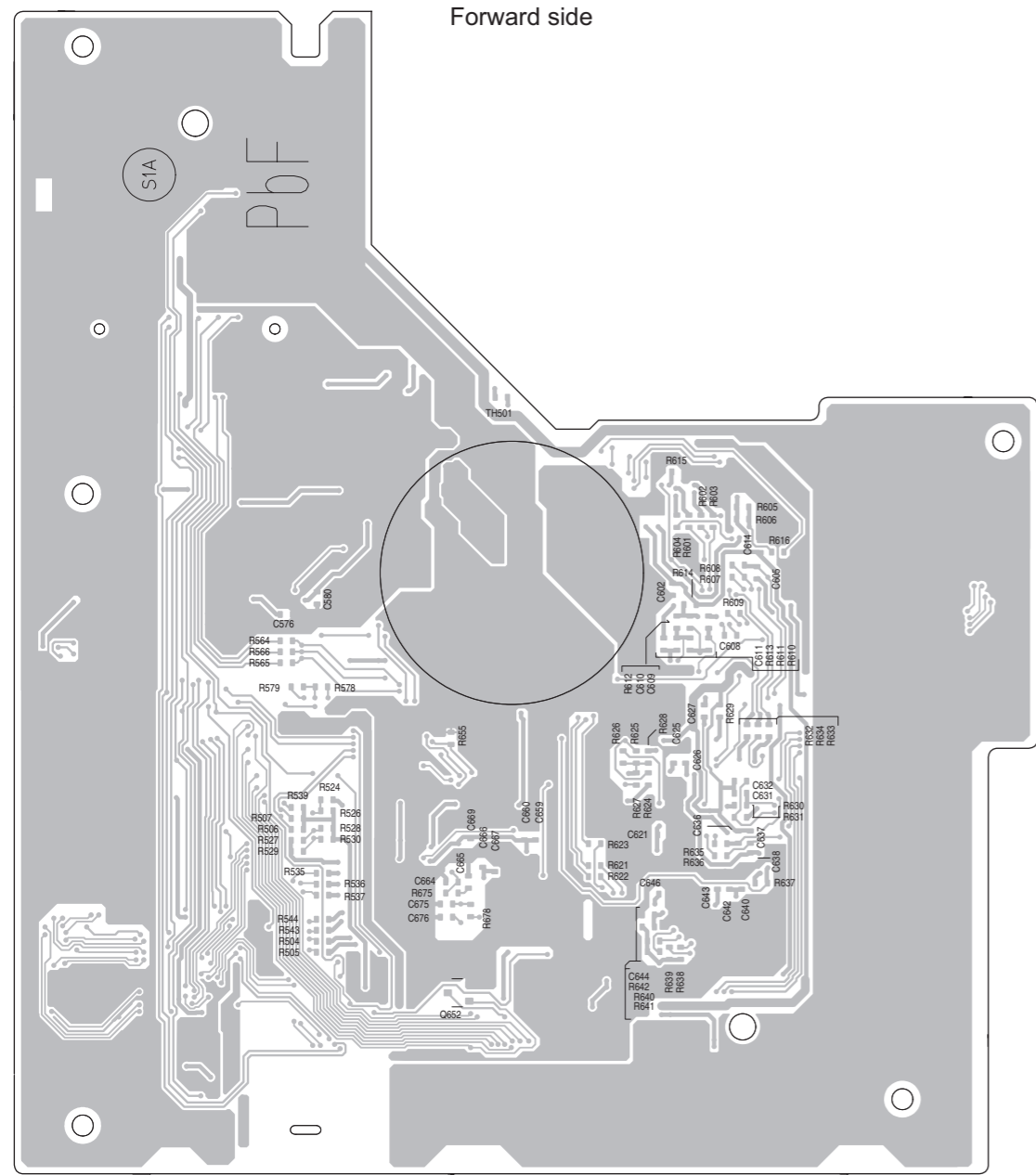
Forward side



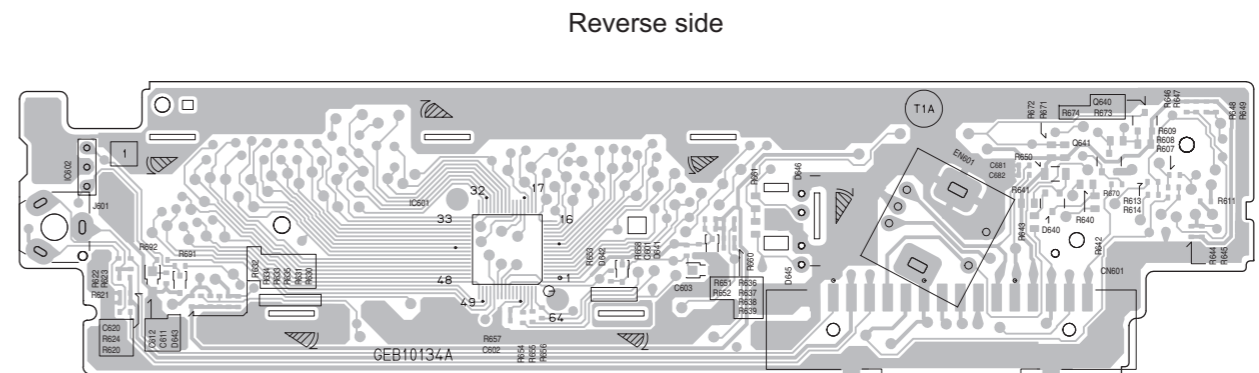
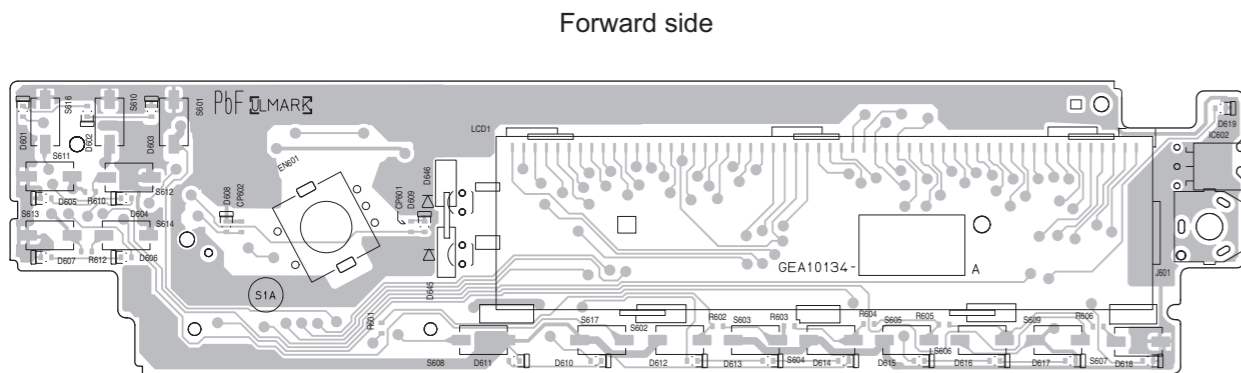
Reverse side



CD mecha control board (Common)



Switch board



< MEMO >

JVC

Victor Company of Japan, Limited

AV & MULTIMEDIA COMPANY CAR ELECTRONICS CATEGORY 10-1,1chome,Ohwatari-machi,Maebashi-city,371-8543,Japan

(No.MA147SCH)



Printed in Japan
VPT

PARTS LIST

[KD-G615]

* All printed circuit boards and its assemblies are not available as service parts.

Area suffix

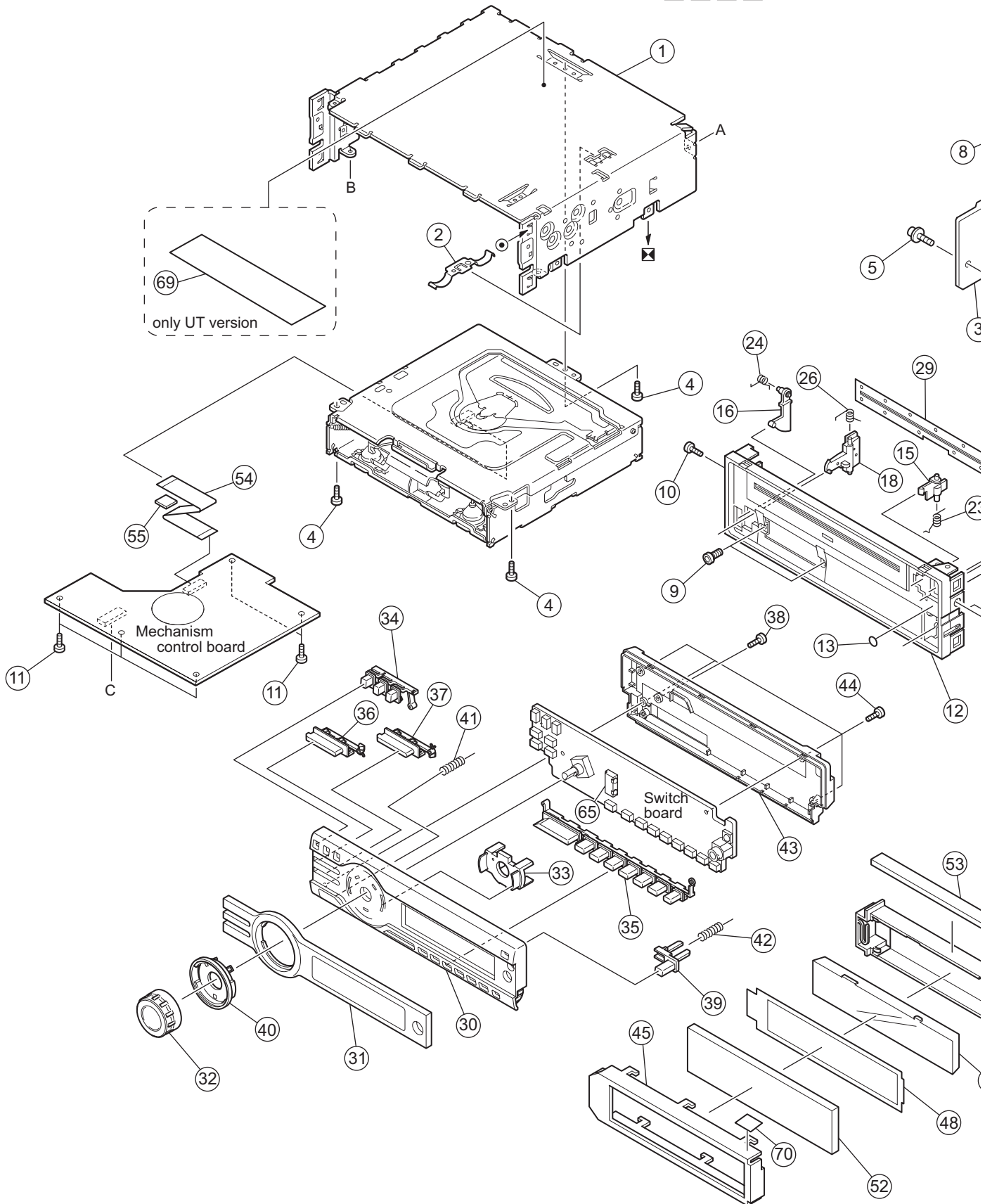
UT Taiwan
UH Thailand
UN Asean
U Other Areas

- Contents -

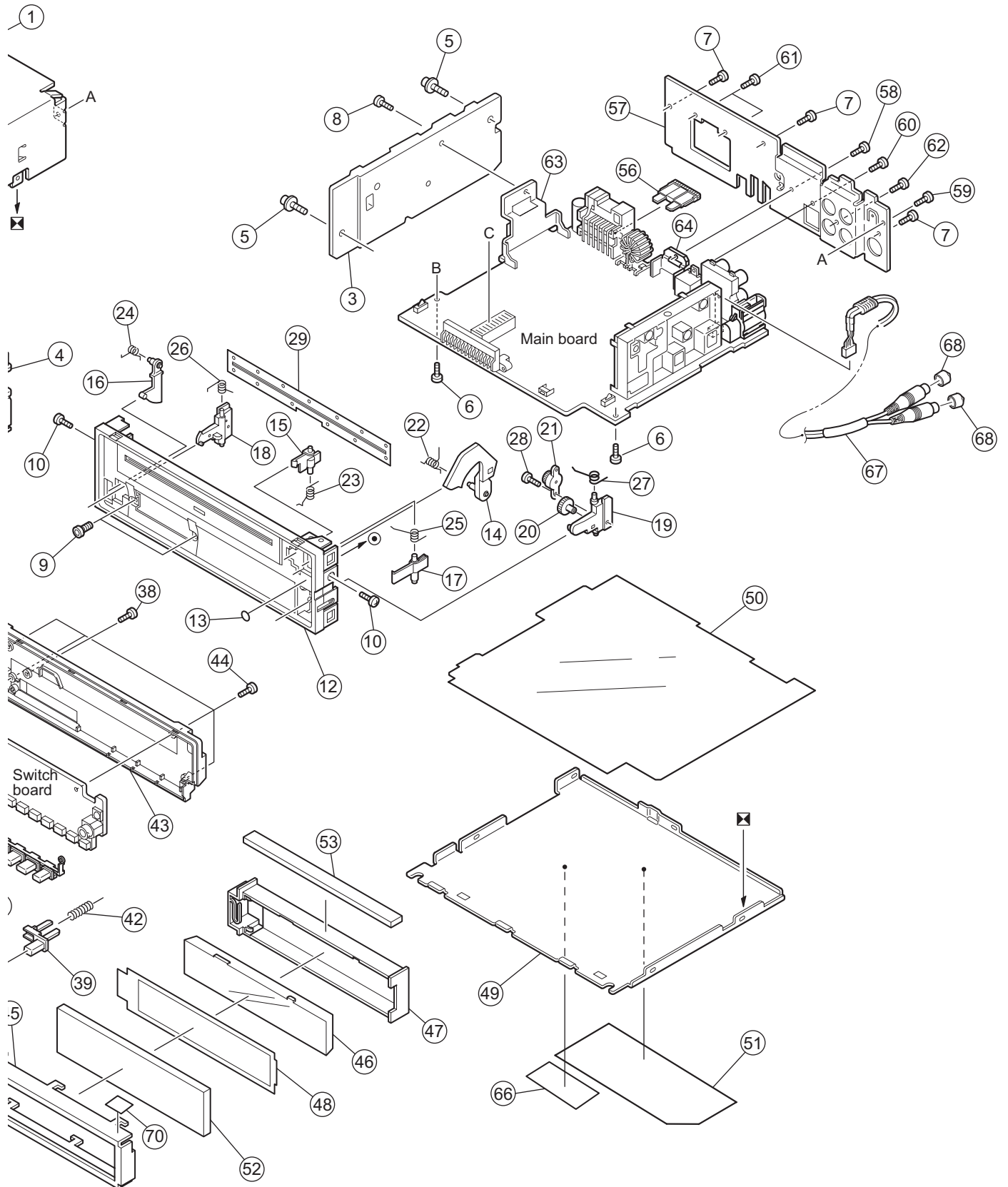
Exploded view of general assembly and parts list (Block No.M1)	3-2
CD mechanism assembly and parts list (Block No.MB)	3-5
Electrical parts list (Block No.01~03) (KD-G615_UT,UH,UN,U)	3-7
Electrical parts list (Block No.04~06) (KD-G615_UH2,UN2,U2)	3-12
Packing materials and accessories parts list (Block No.M3)	3-19

Exploded view of general assembly and parts list

Block No. **M 1 M M**



o. M 1 M M



General Assembly

Block No. [M][1][M][M]

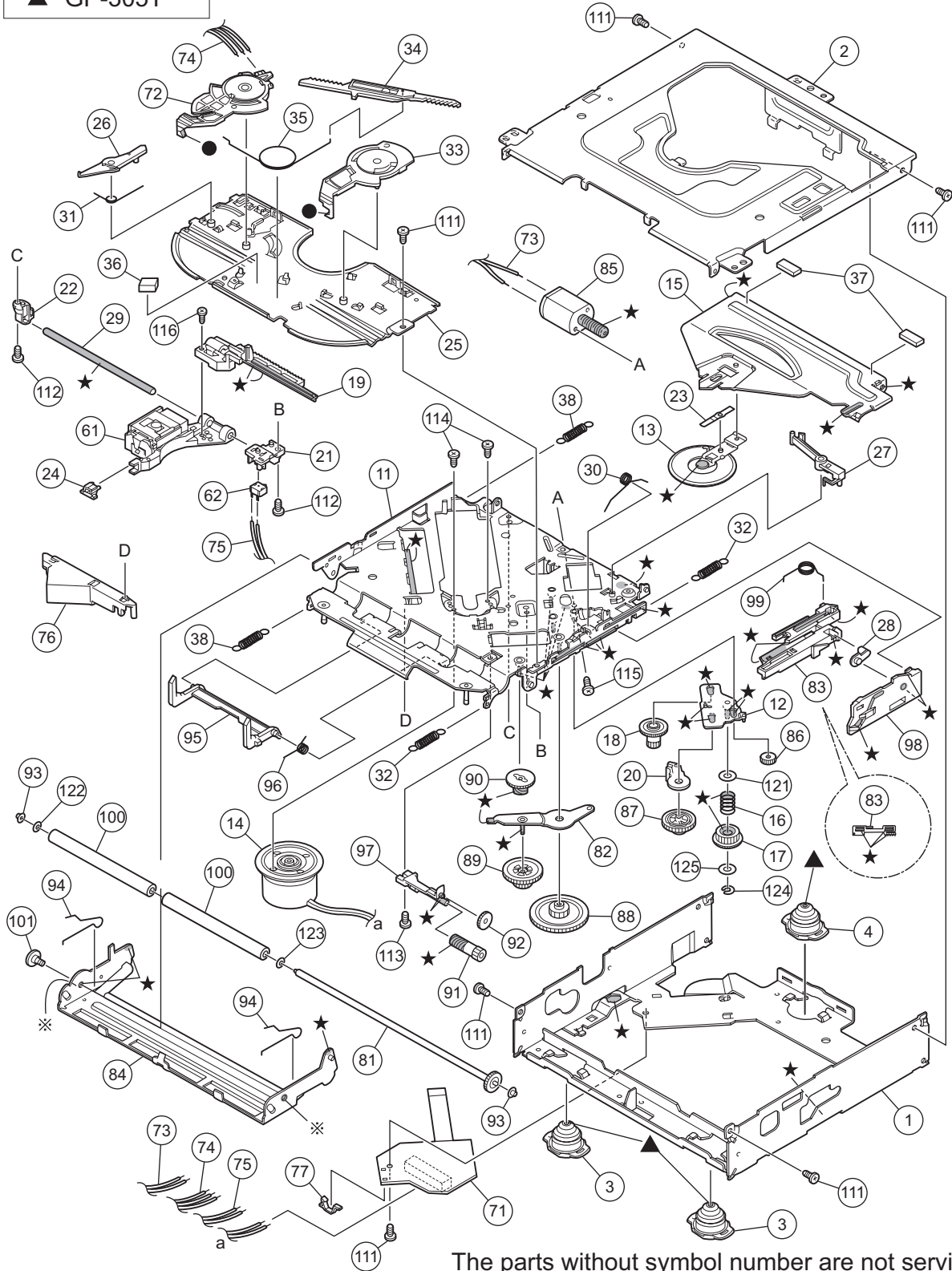
△	Symbol No.	Part No.	Part Name	Description	Local
	1	GE10043-210A	TOP CHASSIS		
	2	GE40135-001A	EARTH PLATE		
	3	GE30938-003A	SIDE PANEL		
	4	QYSDST2604ZA	TAP SCREW	M2.6 x 4mm(x3)	
	5	GE40235-001A	SCREW	(x2)	
	6	GE40235-004A	SCREW	(x2)	
	7	QYSDST2604ZA	TAP SCREW	M2.6 x 4mm(x3)	
	8	QYSDST2610ZA	TAP SCREW	M2.6 x 10mm	
	9	QYSDSF2006ZA	TAP SCREW	M2 x 6mm(x2)	
	10	QYSDST2004ZA	TAP SCREW	M2 x 4mm(x2)	
	11	QYSDST2004ZA	TAP SCREW	M2 x 4mm(x5)	
	12	GE30823-005A	F.CHASSIS ASSY		
	13	FSYH4036-098	SHEET		
	14	GE30827-002A	OPEN LEVER		
	15	GE30824-002A	LOCK LEVER(O.L)		
	16	GE31245-002A	RELEASE LEVER		
	17	GE30829-001A	LOCK LEVER(TOP)		
	18	GE31607-001A	LOCK LEVER(L)		
	19	GE31608-001A	LOCK LEVER(R)		
	20	GE40154-001A	GEAR		
	21	QZWO108-002	OIL DAMPER		
	22	GE40153-001A	T.SPRING		
	23	GE40157-001A	T.SPRING		
	24	VKW5264-005	T.SPRING		
	25	FSKW4012-002	T.SPRING		
	26	VKW5263-002	T.SPRING		
	27	GE40155-001A	T.SPRING		
	28	QYSDSF2006ZA	TAP SCREW	M2 x 6mm	
	29	GE40156-001A	BLIND		
	30	GE31590-015A	FRONT PANEL ASSY		
	31	GE31591-002A	FINDER ASSY		
	32	GE40254-004A	VOLUME KNOB ASS		
	33	GE31599-001A	RIM LENS		
	34	GE31593-003A	D.FUNC BTN		
	35	GE20175-008A	PRESET BUTTON		
	36	GE31594-001A	UP/DOWN BTN		
	37	GE31595-001A	SEARCH BTN		
	38	VKZ4777-010	MINI SCREW		
	39	GE31601-004A	EJECT BUTTON		
	40	GE31598-001A	RIM COVER		
	41	FSKW3002-012	COMP.SPRING		
	42	GE40202-012A	COMPRESSION SPRING		
	43	GE10107-002A	REAR COVER		
	44	VKZ4777-010	MINI SCREW	(x4)	
	45	GE31603-001A	LCD CASE		
	46	GE31604-001A	LCD LENS		
	47	GE31605-001A	LENS CASE		
	48	GE40251-002A	LIGHTING SHEET		
	49	GE30393-002A	BOTTOM COVER		
	50	FSMA3005-001	INSULATOR		
	51	GE31467-002A	NAME PLATE		G615U2,G615UH2,G615UN2
	51	GE31467-001A	NAME PLATE		G615U,G615UH,G615UN,G615UT
	52	QLD0354-001	LCD MODULE		
	53	QNZ0772-001	RUBBER CONN		
	54	QUQ105-2207AE	FFC WIRE	22pin 7cm	
	55	VYSH101-009	SPACER		
△	56	QMFZ047-150-T	FUSE	15A	
	57	GE30912-015A	REAR BRACKET		
	58	QYSDST2606ZA	TAP SCREW	M2.6 x 6mm	
	59	QYSDST2606ZA	TAP SCREW	M2.6 x 6mm	
	60	QYSDST2606ZA	TAP SCREW	M2.6 x 6mm	
	61	QYSDSF2606ZA	TAP SCREW	M2.6 x 6mm(x2)	
	62	QYSDSF2606ZA	TAP SCREW	M2.6 x 6mm	
	63	GE40172-004A	IC BRACKET		
	64	GE40124-002A	REG BRACKET		
	65	GE30854-001A	LED HOLDER		
	66	LV41843-002A	LASER CAUTION		
	67	QAM0684-001	SUBWOOFER CABLE		
	68	VYTA500-001	PIN CAP	(x2)	
	69	GE31574-007A	UT LABEL		G615UT
	70	GE40218-032A	SHEET		

CD mechanism assembly and parts list

TN-2001-1013

Block No. M B M M

- Grease
- ★ TNG-87
 - ※ GP-501MK
 - CFD-005Z
 - ▲ GP-305T



The parts without symbol number are not service.

CD mechanism

Block No. [M][B][M][M]

△	Symbol No.	Part No.	Part Name	Description	Local
	1	30320101T	FRAME		
	2	30320102T	TOP COVER		
	3	30320115T	DANPER F	(x2)	
	4	30320116T	DANPER R		
	11	303205505T	CHASSIS RIVET		
	12	303205503T	CHANGE P. RVT A		
	13	303205301T	CLAMPER ASSY		
	14	303205302T	SPINDLE MOTOR A		
	15	30320502T	CLAMPER ARM		
	16	30320503T	CHANGE GEAR SPG		
	17	30320505T	CHANGE GEAR 2		
	18	30320506T	FEED GEAR		
	19	30320507T	FEED RACK		
	20	30320509T	CHANGE LOCK RAR		
	21	30320510T	FEED SW HOLDER		
	22	30320511T	PU SHAFT HOLDER		
	23	30320513T	CLAMPER SUB SPG		
	24	30320514T	FD SUB HOLDER		
	25	30320518T	TOP PLATE		
	26	30320519T	SELECT LOCK ARM		
	27	30320520T	TRIGGER ARM		
	28	30320521T	SLIDE HOOK		
	29	30320522T	PU SHAFT		
	30	30320525T	CLAMPER ARM SPG		
	31	30320526T	SELECT L ARM SP		
	32	30320538T	SUSPENSION SP R	(x2)	
	33	30320529T	SELECT ARM R		
	34	30320530T	LINK PLATE		
	35	30320531T	LINK PLATE SPG		
	36	30320523T	CUSHION F		
	37	30320524T	CUSHION R	(x2)	
	38	30320539T	SUSPENSION SP L	(x2)	
	61	69011614T	PICKUP OPT-725		
	62	64180406T	DET SW ESE22		
	71	303210302T	CONN BOARD ASSY		
	72	30321002T	MODE SW		
	73	30321003T	LOAD MOTOR WIRE		
	74	30321005T	MODE SW WIRE		
	75	30321009T	SL WIRE		
	76	30321011T	WIRE HOLDER		
	77	19501403T	WIRE CLUMPER		
	81	303211301T	ROLLER SHAFT AS		
	82	303211501T	L GEAR PLATE RV		
	83	303211302T	LOADING PLATE A		
	84	303211502T	LOCK ARM RV ASS		
	85	303211303T	L/F MOTOR ASSY		
	86	30321101T	LOADING GEAR 1		
	87	30321102T	LOADING GEAR 2		
	88	30321103T	LOADING GEAR 3		
	89	30321104T	LOADING GEAR 4		
	90	30321105T	LOADING GEAR 5		
	91	30321106T	LOADING GEAR 6		
	92	30321107T	LOADING GEAR 7		
	93	30321149T	ROLLER GUIDE	(x2)	
	94	30321114T	ROLLER GUIDE SP	(x2)	
	95	30321116T	DISC STOPPER AR		
	96	30321117T	DISC ST ARM SPG		
	97	30321118T	LD GEAR BRACKET		
	98	30321125T	L SIDE PLATE		
	99	30321131T	LOAD PLATE SPG		
	100	30321133T	LDG ROLLER	(x2)	
	101	18211223T	COLLAR SCREW		
	111	9P0420031T	SCREW	(x6)	
	112	9P0420041T	TAP.SCREW	(x2)	
	113	9B0320041T	SCREW		
	114	9C0117183T	SCREW	(x2)	
	115	9C0120203T	SCREW		
	116	9C0317503T	SCREW		
	121	9W0130170T	PW 3.5X8X0.3		
	122	9W0513060T	HL WASHER		
	123	9W0710070T	L WASHER		
	124	9E0100152T	E RING		
	125	9W0113020T	PW 2.1X4X0.13		

Electrical parts list

Main board (KD-G615_UT,UH,UN,U)

Block No. [0][1]

△ Symbol No.	Part No.	Part Name	Description	Local
IC31	TB2118F-X	PLL IC		
IC161	TDA7404D-E-X	IC		
IC251	NJM4565M-WE	IC		
IC271	CD4066BPW-X	IC		
IC301	TB2906HQ	IC		
IC701	UPD784217AGC322	IC		
IC702	IC-PST3433U-X	IC		
IC771	BR24L16F-W-X	IC		
IC801	HD74HC126FP-X	IC		
IC901	HA13164A	IC		
Q1	KTD1304-X	TRANSISTOR		
Q5	2SB709A/R/-X	TRANSISTOR		
Q6	2SB624/4/-X	TRANSISTOR		
Q7	UN2211-X	TRANSISTOR		
Q8	UN2211-X	TRANSISTOR		
Q31	UN2211-X	TRANSISTOR		
Q241	2SD601A/R/-X	TRANSISTOR		
Q271	KTD1304-X	TRANSISTOR		
Q272	UN2111-X	TRANSISTOR		
Q273	UN2211-X	TRANSISTOR		
Q274	UN2211-X	TRANSISTOR		
Q321	KTD1304-X	TRANSISTOR		
Q331	KTD1304-X	TRANSISTOR		
Q341	KTD1304-X	TRANSISTOR		
Q351	KTD1304-X	TRANSISTOR		
Q701	UN2211-X	TRANSISTOR		
Q702	UN2211-X	TRANSISTOR		
Q703	UN2211-X	TRANSISTOR		
Q704	UN2211-X	TRANSISTOR		
Q705	UN2211-X	TRANSISTOR		
Q781	UN2111-X	TRANSISTOR		
Q782	KTD1304-X	TRANSISTOR		
Q784	UN2111-X	TRANSISTOR		
Q881	UN2211-X	TRANSISTOR		
Q891	UN2211-X	TRANSISTOR		
Q901	2SB1132/QR/-W	TRANSISTOR		
Q976	UN2211-X	TRANSISTOR		
Q977	2SB709A/QR/-X	TRANSISTOR		
D1	MA111-X	SI DIODE		
D2	MA111-X	SI DIODE		
D4	MA111-X	SI DIODE		
D5	MA111-X	SI DIODE		
D6	MA111-X	SI DIODE		
D242	MA111-X	SI DIODE		
D243	RB160M-30-X	SB DIODE		
D244	UDZS5.1B-X	Z DIODE		
D251	UDZS4.7B-X	Z DIODE		
D271	MA111-X	SI DIODE		
D273	MA111-X	SI DIODE		
D321	MA111-X	SI DIODE		
D325	UDZS11B-X	Z DIODE		
D331	MA111-X	SI DIODE		
D341	MA111-X	SI DIODE		
D351	MA111-X	SI DIODE		
D701	MA8062/M/-X	Z DIODE		
D702	MA8062/M/-X	Z DIODE		
D703	MA8062/M/-X	Z DIODE		
D704	MA8062/M/-X	Z DIODE		
D705	MA8062/M/-X	Z DIODE		
D706	MA8062/M/-X	Z DIODE		
D707	MA8062/M/-X	Z DIODE		
D708	MA8062/M/-X	Z DIODE		
D709	MA8062/M/-X	Z DIODE		
D710	MA111-X	SI DIODE		
D711	MA8062/M/-X	Z DIODE		
D713	UDZS5.6B-X	Z DIODE	1.5kΩ 1/10W J	
D714	SML-310VT/JK/-X	LED		
D715	SML-310VT/JK/-X	LED		
D716	SML-310VT/JK/-X	LED		
D717	MA8062/M/-X	Z DIODE		
D718	MA8062/M/-X	Z DIODE		
D719	MA8062/M/-X	Z DIODE		
D720	MA8062/M/-X	Z DIODE		
D781	MA111-X	SI DIODE		
D782	MA111-X	SI DIODE		
D783	MA111-X	SI DIODE		
D784	UDZS11B-X	Z DIODE		
D851	RB160M-30-X	SB DIODE		
D852	RB160M-30-X	SB DIODE		
D891	MA111-X	SI DIODE		
D892	MA111-X	SI DIODE		
D901	1N5401-F64	DIODE		
D902	MA111-X	SI DIODE		
D971	RB160M-30-X	SB DIODE		
D972	RB160M-30-X	SB DIODE		
D996	RB160M-30-X	SB DIODE		
D997	RB160M-30-X	SB DIODE		
C1	QEKJ1CM-226Z	E CAPACITOR	22uF 16V M	
C2	NCB31EK-104X	C CAPACITOR	0.1uF 25V K	
C3	NCB31EK-104X	C CAPACITOR	0.1uF 25V K	
C4	QERF1AM-227Z	E CAPACITOR	220uF 10V M	
C5	QEKJ1HM-104Z	E CAPACITOR	0.1uF 50V M	
C6	NCB31EK-104X	C CAPACITOR	0.1uF 25V K	
C9	QEKJ1CM-226Z	E CAPACITOR	22uF 16V M	
C10	NCB31EK-104X	C CAPACITOR	0.1uF 25V K	
C11	NCB31EK-104X	C CAPACITOR	0.1uF 25V K	
C12	QERF1AM-227Z	E CAPACITOR	220uF 10V M	
C30	NCB31HK-103X	C CAPACITOR	0.01uF 50V K	
C31	QERF1AM-107Z	E CAPACITOR	100uF 10V M	
C32	NDC31HJ-470X	C CAPACITOR	47pF 50V J	
C33	QEKJ0JM-476Z	E CAPACITOR	47uF 6.3V M	
C34	NCB31EK-473X	C CAPACITOR	0.047uF 25V K	
C35	NDC31HJ-100X	C CAPACITOR	10pF 50V J	
C36	NDC31HJ-7R0X	C CAPACITOR	7pF 50V J	
C37	NDC31HJ-100X	C CAPACITOR	10pF 50V J	
C38	NCB31HK-102X	C CAPACITOR	1000pF 50V K	
C39	NCB31HK-102X	C CAPACITOR	1000pF 50V K	
C40	QERF1CM-106Z	E CAPACITOR	10uF 16V M	
C41	NCB31EK-473X	C CAPACITOR	0.047uF 25V K	
C42	NCB31HK-103X	C CAPACITOR	0.01uF 50V K	
C43	QFV61HJ-473Z	MF CAPACITOR	0.047uF 50V J	
C44	NCB31HK-103X	C CAPACITOR	0.01uF 50V K	
C45	NCB31HK-272X	C CAPACITOR	2700pF 50V K	
C46	NCB31HK-103X	C CAPACITOR	0.01uF 50V K	
C47	NCB31HK-103X	C CAPACITOR	0.01uF 50V K	
C48	NCB31EK-473X	C CAPACITOR	0.047uF 25V K	
C49	NCB31HK-102X	C CAPACITOR	1000pF 50V K	
C50	NDC31HJ-101X	C CAPACITOR	100pF 50V J	
C51	NCB31HK-331X	C CAPACITOR	330pF 50V K	
C81	QERF1HM-105Z	E CAPACITOR	1uF 50V M	
C82	NCB31HK-182X	C CAPACITOR	1800pF 50V K	
C85	NCB31HK-123X	C CAPACITOR	0.012uF 50V K	
C91	QERF1HM-105Z	E CAPACITOR	1uF 50V M	
C92	NCB31HK-182X	C CAPACITOR	1800pF 50V K	
C95	NCB31HK-123X	C CAPACITOR	0.012uF 50V K	
C161	QEKJ1HM-105Z	E CAPACITOR	1uF 50V M	
C162	QERF1HM-105Z	E CAPACITOR	1uF 50V M	
C163	QTE1H55-225Z	E CAPACITOR	2.2uF 50V	
C165	QERF1HM-105Z	E CAPACITOR	1uF 50V M	
C171	QEKJ1HM-105Z	E CAPACITOR	1uF 50V M	
C172	QERF1HM-105Z	E CAPACITOR	1uF 50V M	
C173	QTE1H55-225Z	E CAPACITOR	2.2uF 50V	
C174	QERF1HM-105Z	E CAPACITOR	1uF 50V M	
C175	QERF1HM-105Z	E CAPACITOR	1uF 50V M	
C176	NCB31HK-473X	C CAPACITOR	0.047uF 50V K	
C177	NCB31HK-473X	C CAPACITOR	0.047uF 50V K	
C179	QERF1CM-476Z	E CAPACITOR	47uF 16V M	
C181	QERF1CM-107Z	E CAPACITOR	100uF 16V M	
C182	NCB31EK-104X	C CAPACITOR	0.1uF 25V K	
C184	NCB31CK-224X	C CAPACITOR	0.22uF 16V K	
C241	QERF1HM-105Z	E CAPACITOR	1uF 50V M	
C242	QERF1CM-226Z	E CAPACITOR	22uF 16V M	
C243	NCB31EK-473X	C CAPACITOR	0.047uF 25V K	
C245	QERF1HM-224Z	E CAPACITOR	0.22uF 50V M	
C251	NCB31HK-822X	C CAPACITOR	8200pF 50V K	

△ Symbol No.	Part No.	Part Name	Description	Local	△ Symbol No.	Part No.	Part Name	Description	Local
C252	QERF0JM-476Z	E CAPACITOR	47uF 6.3V M		C804	NDC31HJ-220X	C CAPACITOR	22pF 50V J	
C253	QERF1CM-106Z	E CAPACITOR	10uF 16V M		C851	QERF1CM-106Z	E CAPACITOR	10uF 16V M	
C254	NCB31EK-823X	C CAPACITOR	0.082uF 25V K		C852	NCB31EK-103X	C CAPACITOR	0.01uF 25V K	
C255	QERF1CM-476Z	E CAPACITOR	47uF 16V M		C881	QERF1CM-226Z	E CAPACITOR	22uF 16V M	
C256	NCB31EK-104X	C CAPACITOR	0.1uF 25V K		C891	NCB31EK-104X	C CAPACITOR	0.1uF 25V K	
C261	QERF1HM-225Z	E CAPACITOR	2.2uF 50V M		C901	QE20723-338	E CAPACITOR	3300uF	
C262	QERF1HM-225Z	E CAPACITOR	2.2uF 50V M		C902	QERF1HM-225Z	E CAPACITOR	2.2uF 50V M	
C272	NDC31HJ-101X	C CAPACITOR	100pF 50V J		C903	QERF1CM-476Z	E CAPACITOR	47uF 16V M	
C273	NDC31HJ-101X	C CAPACITOR	100pF 50V J		C904	QERF1CM-106Z	E CAPACITOR	10uF 16V M	
C274	NCB31EK-223X	C CAPACITOR	0.022uF 25V K		C905	QERF1CM-476Z	E CAPACITOR	47uF 16V M	
C275	NCB31EK-223X	C CAPACITOR	0.022uF 25V K		C906	NCB31EK-104X	C CAPACITOR	0.1uF 25V K	
C276	NCB31EK-223X	C CAPACITOR	0.022uF 25V K		C907	QERF1AM-227Z	E CAPACITOR	220uF 10V M	
C277	NCB31EK-562X	C CAPACITOR	5600pF 25V K		C908	QERF1AM-227Z	E CAPACITOR	220uF 10V M	
C278	NCB31EK-123X	C CAPACITOR	0.012uF 25V K		C909	QERF1AM-227Z	E CAPACITOR	220uF 10V M	
C279	QERF0JM-476Z	E CAPACITOR	47uF 6.3V M		C910	QERF1CM-476Z	E CAPACITOR	47uF 16V M	
C281	NCB31EK-823X	C CAPACITOR	0.082uF 25V K		C911	QERF1CM-106Z	E CAPACITOR	10uF 16V M	
C298	NCB31EK-104X	C CAPACITOR	0.1uF 25V K		C912	NCB31EK-104X	C CAPACITOR	0.1uF 25V K	
C301	QFV91HJ-474Z	MF CAPACITOR	0.47uF 50V J		C914	QERF1CM-107Z	E CAPACITOR	100uF 16V M	
C302	QFV91HJ-474Z	MF CAPACITOR	0.47uF 50V J		C915	NCB31CK-104X	C CAPACITOR	0.1uF 16V K	
C303	NDC31HJ-101X	C CAPACITOR	100pF 50V J		C916	QERF1CM-476Z	E CAPACITOR	47uF 16V M	
C304	NDC31HJ-101X	C CAPACITOR	100pF 50V J		C961	NDC31HJ-471X	C CAPACITOR	470pF 50V J	
C311	QFV91HJ-474Z	MF CAPACITOR	0.47uF 50V J		C962	NDC31HJ-471X	C CAPACITOR	470pF 50V J	
C312	QFV91HJ-474Z	MF CAPACITOR	0.47uF 50V J		C963	NDC31HJ-471X	C CAPACITOR	470pF 50V J	
C313	NDC31HJ-101X	C CAPACITOR	100pF 50V J		C964	NDC31HJ-471X	C CAPACITOR	470pF 50V J	
C314	NDC31HJ-101X	C CAPACITOR	100pF 50V J		C965	NDC31HJ-471X	C CAPACITOR	470pF 50V J	
C315	QERF1HM-225Z	E CAPACITOR	2.2uF 50V M		C966	NDC31HJ-471X	C CAPACITOR	470pF 50V J	
C316	QERF1EM-475Z	E CAPACITOR	4.7uF 25V M		C967	NDC31HJ-471X	C CAPACITOR	470pF 50V J	
C317	QERF1CM-226Z	E CAPACITOR	22uF 16V M		C968	NDC31HJ-471X	C CAPACITOR	470pF 50V J	
C318	QEKJ1HM-225Z	E CAPACITOR	2.2uF 50V M		C971	NCB31EK-104X	C CAPACITOR	0.1uF 25V K	
C319	NCB31EK-104X	C CAPACITOR	0.1uF 25V K		R1	NRSA181J-120X	MG RESISTOR	12Ω 1/8W J	
C320	NCB31EK-104X	C CAPACITOR	0.1uF 25V K		R2	NRSA63J-473X	MG RESISTOR	47kΩ 1/16W J	
C322	NCB21HK-472X	C CAPACITOR	4700pF 50V K		R4	NRSA63J-332X	MG RESISTOR	3.3kΩ 1/16W J	
C323	NCB21HK-472X	C CAPACITOR	4700pF 50V K		R5	NRSA63J-473X	MG RESISTOR	47kΩ 1/16W J	
C324	NCB21HK-472X	C CAPACITOR	4700pF 50V K		R6	NRSA63J-473X	MG RESISTOR	47kΩ 1/16W J	
C325	NCB21HK-472X	C CAPACITOR	4700pF 50V K		R7	NRSA63J-472X	MG RESISTOR	4.7kΩ 1/16W J	
C341	NCB31EK-104X	C CAPACITOR	0.1uF 25V K		R8	NRSA63J-103X	MG RESISTOR	10kΩ 1/16W J	
C367	QERF1EM-475Z	E CAPACITOR	4.7uF 25V M		R9	NRSA63J-101X	MG RESISTOR	100Ω 1/16W J	
C368	QERF1EM-475Z	E CAPACITOR	4.7uF 25V M		R11	NRSA63J-103X	MG RESISTOR	10kΩ 1/16W J	
C387	QERF1EM-475Z	E CAPACITOR	4.7uF 25V M		R31	NRS181J-100X	MG RESISTOR	10Ω 1/8W J	
C388	QERF1EM-475Z	E CAPACITOR	4.7uF 25V M		R32	NRSA63J-622X	MG RESISTOR	6.2kΩ 1/16W J	
C701	NDC31HJ-220X	C CAPACITOR	22pF 50V J		R33	NRSA63J-103X	MG RESISTOR	10kΩ 1/16W J	
C702	NDC31HJ-270X	C CAPACITOR	27pF 50V J		R38	NRSA63J-101X	MG RESISTOR	100Ω 1/16W J	
C703	NDC31HJ-270X	C CAPACITOR	27pF 50V J		R39	NRSA63J-0R0X	MG RESISTOR	0Ω 1/16W J	
C704	NDC31HJ-8R0X	C CAPACITOR	8pF 50V J		R40	NRSA63J-393X	MG RESISTOR	39kΩ 1/16W J	
C705	NCB31EK-104X	C CAPACITOR	0.1uF 25V K		R41	NRSA63J-103X	MG RESISTOR	10kΩ 1/16W J	
C706	NCB31EK-104X	C CAPACITOR	0.1uF 25V K		R42	NRS181J-100X	MG RESISTOR	10Ω 1/8W J	
C707	NCB31EK-104X	C CAPACITOR	0.1uF 25V K		R43	NRSA63J-471X	MG RESISTOR	470Ω 1/16W J	
C708	NCB31EK-104X	C CAPACITOR	0.1uF 25V K		R44	NRSA63J-221X	MG RESISTOR	220Ω 1/16W J	
C709	NCB31HK-103X	C CAPACITOR	0.01uF 50V K		R50	NRSA63J-104X	MG RESISTOR	100kΩ 1/16W J	
C710	QEKJ0JM-476Z	E CAPACITOR	47uF 6.3V M		R52	NRSA63J-273X	MG RESISTOR	27kΩ 1/16W J	
C711	QERF1AM-227Z	E CAPACITOR	220uF 10V M		R81	NRSA63J-912X	MG RESISTOR	9.1kΩ 1/16W J	
C713	NCB31CK-224X	C CAPACITOR	0.22uF 16V K		R82	NRSA63J-273X	MG RESISTOR	27kΩ 1/16W J	
C716	NCB31EK-104X	C CAPACITOR	0.1uF 25V K		R91	NRSA63J-912X	MG RESISTOR	9.1kΩ 1/16W J	
C717	NCB31EK-104X	C CAPACITOR	0.1uF 25V K		R92	NRSA63J-273X	MG RESISTOR	27kΩ 1/16W J	
C720	NCB31HK-103X	C CAPACITOR	0.01uF 50V K		R158	NRSA63J-103X	MG RESISTOR	10kΩ 1/16W J	
C721	NCB31HK-103X	C CAPACITOR	0.01uF 50V K		R159	NRSA63J-103X	MG RESISTOR	10kΩ 1/16W J	
C722	NCB31HK-103X	C CAPACITOR	0.01uF 50V K		R161	NRSA63J-222X	MG RESISTOR	2.2kΩ 1/16W J	
C723	NCB31EK-104X	C CAPACITOR	0.1uF 25V K		R162	NRSA63J-222X	MG RESISTOR	2.2kΩ 1/16W J	
C724	NCB31EK-104X	C CAPACITOR	0.1uF 25V K		R163	NRSA63J-124X	MG RESISTOR	120kΩ 1/16W J	
C725	NCB31EK-104X	C CAPACITOR	0.1uF 25V K		R196	NRSA63J-104X	MG RESISTOR	100kΩ 1/16W J	
C726	NCB31EK-104X	C CAPACITOR	0.1uF 25V K		R197	NRSA63J-104X	MG RESISTOR	100kΩ 1/16W J	
C727	NCB31EK-104X	C CAPACITOR	0.1uF 25V K		R241	NRSA63J-473X	MG RESISTOR	47kΩ 1/16W J	
C728	NDC31HJ-101X	C CAPACITOR	100pF 50V J		R242	NRSA63J-223X	MG RESISTOR	22kΩ 1/16W J	
C729	NDC31HJ-101X	C CAPACITOR	100pF 50V J		R243	NRSA63J-184X	MG RESISTOR	180kΩ 1/16W J	
C730	NDC31HJ-101X	C CAPACITOR	100pF 50V J		R244	NRSA63J-123X	MG RESISTOR	12kΩ 1/16W J	
C740	NCB31EK-104X	C CAPACITOR	0.1uF 25V K		R245	NRSA63J-470X	MG RESISTOR	47Ω 1/16W J	
C743	NCB31AK-334X	C CAPACITOR	0.33uF 10V K		R246	NRSA63J-102X	MG RESISTOR	1kΩ 1/16W J	
C744	NCB31EK-104X	C CAPACITOR	0.1uF 25V K		R247	NRSA63J-393X	MG RESISTOR	39kΩ 1/16W J	
C745	NCB31AK-334X	C CAPACITOR	0.33uF 10V K		R248	NRSA63J-221X	MG RESISTOR	220Ω 1/16W J	
C746	NCB31EK-104X	C CAPACITOR	0.1uF 25V K		R251	NRSA63J-104X	MG RESISTOR	100kΩ 1/16W J	
C747	NCB31EK-473X	C CAPACITOR	0.047uF 25V K		R252	NRSA63J-513X	MG RESISTOR	51kΩ 1/16W J	
C771	NCB31EK-473X	C CAPACITOR	0.047uF 25V K		R253	NRSA63J-104X	MG RESISTOR	100kΩ 1/16W J	
C781	QERF0JM-476Z	E CAPACITOR	47uF 6.3V M		R255	NRSA63J-0R0X	MG RESISTOR	0Ω 1/16W J	
C782	NCB31AK-474X	C CAPACITOR	0.47uF 10V K		R256	NRSA63J-104X	MG RESISTOR	100kΩ 1/16W J	
C784	QERF1CM-107Z	E CAPACITOR	100uF 16V M		R257	NRSA63J-822X	MG RESISTOR	8.2kΩ 1/16W J	
C801	NCB31EK-473X	C CAPACITOR	0.047uF 25V K		R258	NRSA63J-153X	MG RESISTOR	15kΩ 1/16W J	
C802	NCB31HK-472X	C CAPACITOR	4700pF 50V K		R259	NRSA63J-122X	MG RESISTOR	1.2kΩ 1/16W J	
C803	NDC31HJ-220X	C CAPACITOR	22pF 50V J						

△ Symbol No.	Part No.	Part Name	Description	Local	△ Symbol No.	Part No.	Part Name	Description	Local
R260	NRSA63J-473X	MG RESISTOR	47kΩ 1/16W J		R758	NRSA63J-473X	MG RESISTOR	47kΩ 1/16W J	
R261	NRSA63J-821X	MG RESISTOR	820Ω 1/16W J		R759	NRSA63J-473X	MG RESISTOR	47kΩ 1/16W J	
R271	NRSA63J-222X	MG RESISTOR	2.2kΩ 1/16W J		R763	NRSA63J-102X	MG RESISTOR	1kΩ 1/16W J	
R274	NRSA63J-473X	MG RESISTOR	47kΩ 1/16W J		R764	NRSA63J-101X	MG RESISTOR	100Ω 1/16W J	
R275	NRSA63J-105X	MG RESISTOR	1MΩ 1/16W J		R765	NRS181J-271X	MG RESISTOR	270Ω 1/8W J	
R276	NRSA63J-105X	MG RESISTOR	1MΩ 1/16W J		R766	NRSA63J-473X	MG RESISTOR	47kΩ 1/16W J	
R277	NRSA63J-105X	MG RESISTOR	1MΩ 1/16W J		R767	NRSA63J-473X	MG RESISTOR	47kΩ 1/16W J	
R278	NRSA63J-105X	MG RESISTOR	1MΩ 1/16W J		R770	NRSA63J-473X	MG RESISTOR	47kΩ 1/16W J	
R279	NRSA63J-473X	MG RESISTOR	47kΩ 1/16W J		R771	NRSA63J-271X	MG RESISTOR	270Ω 1/16W J	
R291	NRSA63J-0R0X	MG RESISTOR	0Ω 1/16W J		R772	NRSA63J-271X	MG RESISTOR	270Ω 1/16W J	
R292	NRSA63J-0R0X	MG RESISTOR	0Ω 1/16W J		R775	NRSA63J-473X	MG RESISTOR	47kΩ 1/16W J	
R293	NRSA63J-101X	MG RESISTOR	100Ω 1/16W J		R776	NRSA63J-473X	MG RESISTOR	47kΩ 1/16W J	
R294	NRSA63J-101X	MG RESISTOR	100Ω 1/16W J		R780	NRSA63J-473X	MG RESISTOR	47kΩ 1/16W J	
R301	NRSA63J-473X	MG RESISTOR	47kΩ 1/16W J		R781	NRSA63J-473X	MG RESISTOR	47kΩ 1/16W J	
R302	NRSA63J-473X	MG RESISTOR	47kΩ 1/16W J		R783	NRSA63J-103X	MG RESISTOR	10kΩ 1/16W J	
R307	NRSA63J-122X	MG RESISTOR	1.2kΩ 1/16W J		R784	NRSA63J-473X	MG RESISTOR	47kΩ 1/16W J	
R308	NRSA63J-122X	MG RESISTOR	1.2kΩ 1/16W J		R785	NRSA63J-222X	MG RESISTOR	2.2kΩ 1/16W J	
R311	NRSA63J-473X	MG RESISTOR	47kΩ 1/16W J		R787	NRSA63J-103X	MG RESISTOR	10kΩ 1/16W J	
R312	NRSA63J-473X	MG RESISTOR	47kΩ 1/16W J		R791	NRSA63J-0R0X	MG RESISTOR	0Ω 1/16W J	
R317	NRSA63J-122X	MG RESISTOR	1.2kΩ 1/16W J		R792	NRSA63J-0R0X	MG RESISTOR	0Ω 1/16W J	
R318	NRSA63J-122X	MG RESISTOR	1.2kΩ 1/16W J		R793	NRSA63J-0R0X	MG RESISTOR	0Ω 1/16W J	
R321	NRSA63J-222X	MG RESISTOR	2.2kΩ 1/16W J		R801	NRSA63J-473X	MG RESISTOR	47kΩ 1/16W J	
R322	NRSA63J-821X	MG RESISTOR	820Ω 1/16W J		R802	NRSA63J-473X	MG RESISTOR	47kΩ 1/16W J	
R323	NRSA63J-101X	MG RESISTOR	100Ω 1/16W J		R803	NRSA63J-101X	MG RESISTOR	100Ω 1/16W J	
R331	NRSA63J-222X	MG RESISTOR	2.2kΩ 1/16W J		R804	NRSA63J-223X	MG RESISTOR	22kΩ 1/16W J	
R332	NRSA63J-821X	MG RESISTOR	820Ω 1/16W J		R805	NRSA63J-104X	MG RESISTOR	100kΩ 1/16W J	
R333	NRSA63J-101X	MG RESISTOR	100Ω 1/16W J		R806	NRSA63J-103X	MG RESISTOR	10kΩ 1/16W J	
R341	NRSA63J-222X	MG RESISTOR	2.2kΩ 1/16W J		R807	NRSA63J-104X	MG RESISTOR	100kΩ 1/16W J	
R342	NRSA63J-821X	MG RESISTOR	820Ω 1/16W J		R808	NRSA63J-331X	MG RESISTOR	330Ω 1/16W J	
R343	NRSA63J-101X	MG RESISTOR	100Ω 1/16W J		R809	NRSA63J-223X	MG RESISTOR	22kΩ 1/16W J	
R351	NRSA63J-222X	MG RESISTOR	2.2kΩ 1/16W J		R810	NRSA63J-101X	MG RESISTOR	100Ω 1/16W J	
R352	NRSA63J-821X	MG RESISTOR	820Ω 1/16W J		R851	NRSA63J-103X	MG RESISTOR	10kΩ 1/16W J	
R353	NRSA63J-101X	MG RESISTOR	100Ω 1/16W J		R881	NRSA63J-473X	MG RESISTOR	47kΩ 1/16W J	
R368	NRSA63J-473X	MG RESISTOR	47kΩ 1/16W J		R882	NRSA63J-472X	MG RESISTOR	4.7kΩ 1/16W J	
R369	NRSA63J-473X	MG RESISTOR	47kΩ 1/16W J		R891	NRSA63J-102X	MG RESISTOR	1kΩ 1/16W J	
R388	NRSA63J-473X	MG RESISTOR	47kΩ 1/16W J		R892	NRSA63J-473X	MG RESISTOR	47kΩ 1/16W J	
R389	NRSA63J-473X	MG RESISTOR	47kΩ 1/16W J		R893	NRSA63J-0R0X	MG RESISTOR	0Ω 1/16W J	
R395	NRSA63J-0R0X	MG RESISTOR	0Ω 1/16W J		R901	QRE142J-102X	C RESISTOR	1kΩ 1/4W J	
R396	NRSA63J-0R0X	MG RESISTOR	0Ω 1/16W J		R902	NRSA02J-912X	MG RESISTOR	9.1kΩ 1/10W J	
R397	NRSA63J-0R0X	MG RESISTOR	0Ω 1/16W J		R903	NRSA02J-472X	MG RESISTOR	4.7kΩ 1/10W J	
R398	NRSA63J-0R0X	MG RESISTOR	0Ω 1/16W J		R904	NRSA02J-221X	MG RESISTOR	220Ω 1/10W J	
R701	NRSA63J-473X	MG RESISTOR	47kΩ 1/16W J		R971	NRS181J-222X	MG RESISTOR	2.2kΩ 1/8W J	
R709	NRSA63J-103X	MG RESISTOR	10kΩ 1/16W J		R972	NRS181J-222X	MG RESISTOR	2.2kΩ 1/8W J	
R714	NRSA63J-103X	MG RESISTOR	10kΩ 1/16W J		R976	NRSA02J-203X	MG RESISTOR	20kΩ 1/10W J	
R719	NRSA63J-0R0X	MG RESISTOR	0Ω 1/16W J		R977	NRSA02J-822X	MG RESISTOR	8.2kΩ 1/10W J	
R720	NRSA63J-122X	MG RESISTOR	1.2kΩ 1/16W J		RA30	NRZ0065-222X	NET RESISTOR	2.2kΩ	
R721	NRSA63J-102X	MG RESISTOR	1kΩ 1/16W J		L1	QQL244J-4R7Z	COIL	4.7uH J	
R722	NRSA63J-103X	MG RESISTOR	10kΩ 1/16W J		L701	QQL244K-4R7Z	COIL	4.7uH K	
R723	NRSA63J-103X	MG RESISTOR	10kΩ 1/16W J		L901	QQR1378-002	COIL		
R725	NRSA63J-103X	MG RESISTOR	10kΩ 1/16W J		CN101	QGB2027M4-22S	CONNECTOR	B-B (1-22)	
R726	NRSA63J-103X	MG RESISTOR	10kΩ 1/16W J		CN251	QGA2501C1-03	CONNECTOR	W-B (1-3)	
R728	NRSA63J-103X	MG RESISTOR	10kΩ 1/16W J		CN701	QNZ0605-001	CAR CONNECTOR		
R729	NRSA63J-473X	MG RESISTOR	47kΩ 1/16W J		CN901	QNZ0611-001	16P CONNECTOR		
R730	NRSA63J-103X	MG RESISTOR	10kΩ 1/16W J		J1	QNB0100-002	CAR ANT JACK		
R731	NRSA63J-473X	MG RESISTOR	47kΩ 1/16W J		J321	QNN0489-001	PIN JACK		
R732	NRSA63J-103X	MG RESISTOR	10kΩ 1/16W J		J801	QNZ0095-001	CONNECTOR		
R734	NRSA63J-222X	MG RESISTOR	2.2kΩ 1/16W J		S701	QSW0451-001	DETECT SW		
R735	NRSA63J-222X	MG RESISTOR	2.2kΩ 1/16W J		S702	QSW0451-001	DETECT SW		
R736	NRSA63J-222X	MG RESISTOR	2.2kΩ 1/16W J		S703	QSW1049-001Z	TACT SW		
R737	NRSA63J-0R0X	MG RESISTOR	0Ω 1/16W J		TU1	QAU0312-002	TUNER PACK		
R738	NRSA63J-472X	MG RESISTOR	4.7kΩ 1/16W J		X31	QAX0616-001Z	CRYSTAL	10.250MHz	
R739	NRSA63J-472X	MG RESISTOR	4.7kΩ 1/16W J		X701	QAX0617-001Z	CRYSTAL	12.500MHz	
R740	NRSA63J-472X	MG RESISTOR	4.7kΩ 1/16W J		X702	QAX0401-001	CRYSTAL	32.768KHz	
R741	NRSA63J-103X	MG RESISTOR	10kΩ 1/16W J						
R743	NRSA63J-103X	MG RESISTOR	10kΩ 1/16W J						
R744	NRSA63J-103X	MG RESISTOR	10kΩ 1/16W J						
R745	NRSA63J-103X	MG RESISTOR	10kΩ 1/16W J						
R746	NRSA63J-103X	MG RESISTOR	10kΩ 1/16W J						
R747	NRSA63J-472X	MG RESISTOR	4.7kΩ 1/16W J						
R748	NRSA63J-472X	MG RESISTOR	4.7kΩ 1/16W J						
R749	NRSA63J-472X	MG RESISTOR	4.7kΩ 1/16W J						
R750	NRSA63J-103X	MG RESISTOR	10kΩ 1/16W J						
R751	NRSA63J-103X	MG RESISTOR	10kΩ 1/16W J						
R753	NRSA63J-473X	MG RESISTOR	47kΩ 1/16W J						
R754	NRSA63J-821X	MG RESISTOR	820Ω 1/16W J						
R755	NRSA63J-106X	MG RESISTOR	10MΩ 1/16W J						
R756	NRSA63J-473X	MG RESISTOR	47kΩ 1/16W J						
R757	NRSA63J-222X	MG RESISTOR	2.2kΩ 1/16W J						

Switch board (KD-G615_UT,UH,UN,U)

Block No. [0][2]

Symbol No.	Part No.	Part Name	Description	Local
IC601	PT6523LQ-L	LCD DRIVER		
IC602	RPM7338-V4	RM.RECEIVER		
Q640	2SB624/4/-X	TRANSISTOR		
Q641	UN2211-X	TRANSISTOR		
D601	SML-310VT/JK/-X	LED		
D602	SML-310VT/JK/-X	LED		
D603	SML-310VT/JK/-X	LED		
D604	SML-310VT/JK/-X	LED		
D605	SML-310VT/JK/-X	LED		
D606	SML-310VT/JK/-X	LED		
D607	SML-310VT/JK/-X	LED		
D608	CL-190UB2-X-X	LED		
D609	CL-190UB2-X-X	LED		
D610	SML-310VT/JK/-X	LED		
D611	SML-310VT/JK/-X	LED		
D612	SML-310VT/JK/-X	LED		
D613	SML-310VT/JK/-X	LED		
D614	SML-310VT/JK/-X	LED		
D615	SML-310VT/JK/-X	LED		
D616	SML-310VT/JK/-X	LED		
D617	SML-310VT/JK/-X	LED		
D618	SML-310VT/JK/-X	LED		
D619	SML-310VT/JK/-X	LED		
D640	MA152WK-X	SI DIODE		
D641	UDZS5.1B-X	Z DIODE		
D642	MA111-X	SI DIODE		
D643	MA8062/M-X	Z DIODE		
D645	NSPW310BS/BRST/	LED		G615 UN
D645	NSPW310BS/BRST/	WHITE LED		G615 U,G61 5UH, G615 UT
D646	NSPW310BS/BRST/	LED		G615 UN
D646	NSPW310BS/BRST/	WHITE LED		G615 U,G61 5UH, G615 UT
C601	NCB31HK-223X	C CAPACITOR	0.022uF 50V K	
C602	NCS31HJ-681X	C CAPACITOR	680pF 50V J	
C603	NBE20JM-106X	TA E CAPACITOR	10uF 6.3V M	
C611	NCB31HK-123X	C CAPACITOR	0.012uF 50V K	
C612	NBE20JM-475X	TA E CAPACITOR	4.7uF 6.3V M	
R601	NRSA63J-821X	MG RESISTOR	820Ω 1/16W J	
R602	NRSA63J-821X	MG RESISTOR	820Ω 1/16W J	
R603	NRSA63J-122X	MG RESISTOR	1.2kΩ 1/16W J	
R604	NRSA63J-182X	MG RESISTOR	1.8kΩ 1/16W J	
R605	NRSA63J-272X	MG RESISTOR	2.7kΩ 1/16W J	
R606	NRSA63J-392X	MG RESISTOR	3.9kΩ 1/16W J	
R607	NRSA63J-821X	MG RESISTOR	820Ω 1/16W J	
R608	NRSA63J-821X	MG RESISTOR	820Ω 1/16W J	
R609	NRSA63J-122X	MG RESISTOR	1.2kΩ 1/16W J	
R610	NRSA63J-182X	MG RESISTOR	1.8kΩ 1/16W J	
R611	NRSA63J-272X	MG RESISTOR	2.7kΩ 1/16W J	
R612	NRSA63J-392X	MG RESISTOR	3.9kΩ 1/16W J	
R613	NRSA63J-821X	MG RESISTOR	820Ω 1/16W J	
R614	NRSA63J-821X	MG RESISTOR	820Ω 1/16W J	
R620	NRSA63J-0R0X	MG RESISTOR	0Ω 1/16W J	
R621	NRSA63J-0R0X	MG RESISTOR	0Ω 1/16W J	
R630	NRSA63J-102X	MG RESISTOR	1kΩ 1/16W J	
R632	NRSA63J-821X	MG RESISTOR	820Ω 1/16W J	
R634	NRSA63J-331X	MG RESISTOR	330Ω 1/16W J	
R636	NRSA63J-331X	MG RESISTOR	330Ω 1/16W J	
R638	NRSA63J-471X	MG RESISTOR	470Ω 1/16W J	
R640	NRSA02J-331X	MG RESISTOR	330Ω 1/10W J	
R641	NRSA02J-181X	MG RESISTOR	180Ω 1/10W J	
R642	NRSA02J-331X	MG RESISTOR	330Ω 1/10W J	
R643	NRSA02J-391X	MG RESISTOR	390Ω 1/10W J	

Symbol No.	Part No.	Part Name	Description	Local
R644	NRSA63J-471X	MG RESISTOR	470Ω 1/16W J	
R646	NRSA63J-471X	MG RESISTOR	470Ω 1/16W J	
R648	NRSA63J-331X	MG RESISTOR	330Ω 1/16W J	
R651	NRSA63J-222X	MG RESISTOR	2.2kΩ 1/16W J	
R652	NRSA63J-222X	MG RESISTOR	2.2kΩ 1/16W J	
R653	NRSA63J-103X	MG RESISTOR	10kΩ 1/16W J	
R654	NRSA63J-103X	MG RESISTOR	10kΩ 1/16W J	
R655	NRSA63J-103X	MG RESISTOR	10kΩ 1/16W J	
R656	NRSA63J-103X	MG RESISTOR	10kΩ 1/16W J	
R657	NRSA63J-513X	MG RESISTOR	51kΩ 1/16W J	
R658	NRSA63J-184X	MG RESISTOR	180kΩ 1/16W J	
R660	NRSA02J-391X	MG RESISTOR	390Ω 1/10W J	
R661	NRSA02J-391X	MG RESISTOR	390Ω 1/10W J	
R670	NRSA63J-0R0X	MG RESISTOR	0Ω 1/16W J	
R672	NRSA02J-471X	MG RESISTOR	470Ω 1/10W J	
R673	NRSA02J-473X	MG RESISTOR	47kΩ 1/10W J	
R674	NRSA02J-102X	MG RESISTOR	1kΩ 1/10W J	
R691	NRSA63J-103X	MG RESISTOR	10kΩ 1/16W J	
R692	NRSA63J-471X	MG RESISTOR	470Ω 1/16W J	
CN601	NNZ0085-001	CAR CONNECTOR		
EN601	QSW1115-002	ROTARY ENCODER		
J601	QNS0245-001	AUX JACK		
S601	NSW0206-001X	TACT SWITCH		
S602	NSW0206-001X	TACT SWITCH		
S603	NSW0206-001X	TACT SWITCH		
S604	NSW0206-001X	TACT SWITCH		
S605	NSW0206-001X	TACT SWITCH		
S606	NSW0206-001X	TACT SWITCH		
S607	NSW0206-001X	TACT SWITCH		
S608	NSW0206-001X	TACT SWITCH		
S609	NSW0206-001X	TACT SWITCH		
S610	NSW0206-001X	TACT SWITCH		
S611	NSW0206-001X	TACT SWITCH		
S612	NSW0206-001X	TACT SWITCH		
S613	NSW0206-001X	TACT SWITCH		
S614	NSW0206-001X	TACT SWITCH		
S616	NSW0206-001X	TACT SWITCH		
S617	NSW0206-001X	TACT SWITCH		

Mechanism control board (KD-G615_UT,UH,UN,U)

Block No. [0][3]

Symbol No.	Part No.	Part Name	Description	Local
IC501	TMP91CW12AF5VD9	IC		
IC502	BR24L01AFV-W-X	IC		
IC503	SN74AHCT126PW-X	IC(DIGITAL)		
IC504	NJU7241F33-X	IC		
IC571	PCM1753-X	IC		
IC572	NJM4580V-X	IC		
IC573	SN74AHC04PW-X	IC		
IC601	TA2157FN-X	RF AMP IC		
IC621	TC94A14FA	CD LSI IC		
IC651	NJU7772F15-X	IC		
IC652	TC94A34FG-002	IC		
IC681	BA5830FP-X	IC		
Q501	UN2111-X	TRANSISTOR		
Q502	UN2211-X	TRANSISTOR		
Q571	UN2111-X	TRANSISTOR		
Q572	UN2211-X	TRANSISTOR		
Q573	2SB624/4/-X	TRANSISTOR		
Q574	UN2211-X	TRANSISTOR		
Q601	2SB1132/QR/-W	TRANSISTOR		
Q651	2SB624/4/-X	TRANSISTOR		
Q652	UN2211-X	TRANSISTOR		
Q681	2SB1184/QR/-X	TRANSISTOR		
D506	MA111-X	SI DIODE		
D682	1SR154-400-X	DIODE		

△ Symbol No.	Part No.	Part Name	Description	Local	△ Symbol No.	Part No.	Part Name	Description	Local
C501	NCB31HK-103X	C CAPACITOR	0.01uF 50V K		C642	NDC31HJ-101X	C CAPACITOR	100pF 50V J	
C502	NCB31HK-103X	C CAPACITOR	0.01uF 50V K		C643	NCB31HK-103X	C CAPACITOR	0.01uF 50V K	
C503	NEAG0JM-107X	E CAPACITOR	100uF 6.3V M		C644	NCB31AK-334X	C CAPACITOR	0.33uF 10V K	
C504	NDC31HJ-220X	C CAPACITOR	22pF 50V J		C645	NEAG0JM-476X	E CAPACITOR	47uF 6.3V M	
C505	NDC31HJ-220X	C CAPACITOR	22pF 50V J		C646	NCB31HK-103X	C CAPACITOR	0.01uF 50V K	
C506	NCB31HK-103X	C CAPACITOR	0.01uF 50V K		C651	NEAG0JM-476X	E CAPACITOR	47uF 6.3V M	
C507	NCB31HK-103X	C CAPACITOR	0.01uF 50V K		C652	NCB31HK-103X	C CAPACITOR	0.01uF 50V K	
C508	NCB31HK-103X	C CAPACITOR	0.01uF 50V K		C653	NEAG0JM-476X	E CAPACITOR	47uF 6.3V M	
C509	NCB31HK-103X	C CAPACITOR	0.01uF 50V K		C654	NCB31CK-104X	C CAPACITOR	0.1uF 16V K	
C510	NCB31HK-103X	C CAPACITOR	0.01uF 50V K		C655	NCB31HK-103X	C CAPACITOR	0.01uF 50V K	
C511	NCB31CK-104X	C CAPACITOR	0.1uF 16V K		C656	NCB31CK-104X	C CAPACITOR	0.1uF 16V K	
C512	NEAG0JM-107X	E CAPACITOR	100uF 6.3V M		C659	NCB31CK-104X	C CAPACITOR	0.1uF 16V K	
C513	NCB31HK-103X	C CAPACITOR	0.01uF 50V K		C660	NDC31HJ-101X	C CAPACITOR	100pF 50V J	
C514	NCS31HJ-102X	C CAPACITOR	1000pF 50V J		C661	NCB31HK-103X	C CAPACITOR	0.01uF 50V K	
C551	NCB31HK-103X	C CAPACITOR	0.01uF 50V K		C662	NDC31HJ-101X	C CAPACITOR	100pF 50V J	
C561	NCB31EK-123X	C CAPACITOR	0.012uF 25V K		C663	NBE20JM-106X	TA E CAPACITOR	10uF 6.3V M	
C571	NDC31HJ-270X	C CAPACITOR	27pF 50V J		C664	NCB31HK-222X	C CAPACITOR	2200pF 50V K	
C572	NDC31HJ-270X	C CAPACITOR	27pF 50V J		C665	NCB31EK-104X	C CAPACITOR	0.1uF 25V K	
C573	NCB31CK-104X	C CAPACITOR	0.1uF 16V K		C666	NDC31HJ-101X	C CAPACITOR	100pF 50V J	
C574	NEAG0JM-107X	E CAPACITOR	100uF 6.3V M		C667	NCB31HK-103X	C CAPACITOR	0.01uF 50V K	
C575	NEAG0JM-107X	E CAPACITOR	100uF 6.3V M		C668	NEAG0JM-476X	E CAPACITOR	47uF 6.3V M	
C577	NCB31CK-104X	C CAPACITOR	0.1uF 16V K		C669	NCB31HK-103X	C CAPACITOR	0.01uF 50V K	
C578	NEAG0JM-107X	E CAPACITOR	100uF 6.3V M		C682	NEAG1VM-475X	E CAPACITOR	4.7uF 35V M	
C580	NCB31EK-123X	C CAPACITOR	0.012uF 25V K		C683	NCB31CK-104X	C CAPACITOR	0.1uF 16V K	
C581	NDC31HJ-101X	C CAPACITOR	100pF 50V J		C684	NEAG1CM-476X	E CAPACITOR	47uF 16V M	
C582	NDC31HJ-101X	C CAPACITOR	100pF 50V J		C689	NEAG1CM-476X	E CAPACITOR	47uF 16V M	
C583	NCS31HJ-821X	C CAPACITOR	820pF 50V J		C690	NBE20JM-106X	TA E CAPACITOR	10uF 6.3V M	
C584	NCS31HJ-821X	C CAPACITOR	820pF 50V J		C693	NEAG1CM-476X	E CAPACITOR	47uF 16V M	
C585	NEAG1VM-475X	E CAPACITOR	4.7uF 35V M						
C586	NEAG1VM-475X	E CAPACITOR	4.7uF 35V M		R501	NRSA63J-102X	MG RESISTOR	1kΩ 1/16W J	
C587	NDC31HJ-151X	C CAPACITOR	150pF 50V J		R502	NRSA63J-102X	MG RESISTOR	1kΩ 1/16W J	
C588	NDC31HJ-151X	C CAPACITOR	150pF 50V J		R503	NRSA63J-102X	MG RESISTOR	1kΩ 1/16W J	
C589	NEAG1VM-475X	E CAPACITOR	4.7uF 35V M		R504	NRSA63J-101X	MG RESISTOR	100Ω 1/16W J	
C590	NEAG1VM-475X	E CAPACITOR	4.7uF 35V M		R505	NRSA63J-101X	MG RESISTOR	100Ω 1/16W J	
C591	NEAG0JM-476X	E CAPACITOR	47uF 6.3V M		R506	NRSA63J-473X	MG RESISTOR	47kΩ 1/16W J	
C592	NEAG0JM-476X	E CAPACITOR	47uF 6.3V M		R507	NRSA63J-473X	MG RESISTOR	47kΩ 1/16W J	
C593	NEAG1CM-476X	E CAPACITOR	47uF 16V M		R508	NRSA63J-473X	MG RESISTOR	47kΩ 1/16W J	
C594	NCS31HJ-102X	C CAPACITOR	1000pF 50V J		R509	NRSA63J-473X	MG RESISTOR	47kΩ 1/16W J	
C595	NCB31CK-473X	C CAPACITOR	0.047uF 16V K		R510	NRSA63J-101X	MG RESISTOR	100Ω 1/16W J	
C596	NDC31HJ-101X	C CAPACITOR	100pF 50V J		R511	NRSA63J-102X	MG RESISTOR	1kΩ 1/16W J	
C597	NCS31HJ-102X	C CAPACITOR	1000pF 50V J		R512	NRSA63J-473X	MG RESISTOR	47kΩ 1/16W J	
C598	NCS31HJ-102X	C CAPACITOR	1000pF 50V J		R513	NRSA63J-102X	MG RESISTOR	1kΩ 1/16W J	
C601	NEAG0JM-476X	E CAPACITOR	47uF 6.3V M		R514	NRSA63J-473X	MG RESISTOR	47kΩ 1/16W J	
C602	NCB31HK-103X	C CAPACITOR	0.01uF 50V K		R515	NRSA63J-473X	MG RESISTOR	47kΩ 1/16W J	
C603	NEAG0JM-107X	E CAPACITOR	100uF 6.3V M		R516	NRSA63J-102X	MG RESISTOR	1kΩ 1/16W J	
C604	NCB31HK-103X	C CAPACITOR	0.01uF 50V K		R517	NRSA63J-101X	MG RESISTOR	100Ω 1/16W J	
C605	NCB31HK-682X	C CAPACITOR	6800pF 50V K		R518	NRSA63J-101X	MG RESISTOR	100Ω 1/16W J	
C606	NEAG0JM-476X	E CAPACITOR	47uF 6.3V M		R519	NRSA63J-101X	MG RESISTOR	100Ω 1/16W J	
C607	NCB31HK-103X	C CAPACITOR	0.01uF 50V K		R520	NRSA63J-101X	MG RESISTOR	100Ω 1/16W J	
C608	NCB31CK-104X	C CAPACITOR	0.1uF 16V K		R521	NRSA63J-101X	MG RESISTOR	100Ω 1/16W J	
C609	NCB31CK-104X	C CAPACITOR	0.1uF 16V K		R522	NRSA63J-101X	MG RESISTOR	100Ω 1/16W J	
C610	NDC31HJ-5R0X	C CAPACITOR	5pF 50V J		R523	NRSA63J-101X	MG RESISTOR	100Ω 1/16W J	
C611	NDC31HJ-680X	C CAPACITOR	68pF 50V J		R525	NRSA63J-104X	MG RESISTOR	100kΩ 1/16W J	
C612	NCB31HK-103X	C CAPACITOR	0.01uF 50V K		R526	NRSA63J-473X	MG RESISTOR	47kΩ 1/16W J	
C613	NCB31HK-103X	C CAPACITOR	0.01uF 50V K		R528	NRSA63J-473X	MG RESISTOR	47kΩ 1/16W J	
C614	NCB31HK-103X	C CAPACITOR	0.01uF 50V K		R530	NRSA63J-473X	MG RESISTOR	47kΩ 1/16W J	
C616	NBE20JM-106X	TA E CAPACITOR	10uF 6.3V M		R531	NRSA63J-473X	MG RESISTOR	47kΩ 1/16W J	
C621	NCB31HK-103X	C CAPACITOR	0.01uF 50V K		R532	NRSA63J-102X	MG RESISTOR	1kΩ 1/16W J	
C622	NEAG0JM-476X	E CAPACITOR	47uF 6.3V M		R533	NRSA63J-101X	MG RESISTOR	100Ω 1/16W J	
C623	NDC31HJ-470X	C CAPACITOR	47pF 50V J		R534	NRSA63J-101X	MG RESISTOR	100Ω 1/16W J	
C624	NCB31HK-153X	C CAPACITOR	0.015uF 50V K		R535	NRSA63J-101X	MG RESISTOR	100Ω 1/16W J	
C625	NCB31HK-103X	C CAPACITOR	0.01uF 50V K		R536	NRSA63J-101X	MG RESISTOR	100Ω 1/16W J	
C626	NCB31HK-272X	C CAPACITOR	2700pF 50V K		R537	NRSA63J-101X	MG RESISTOR	100Ω 1/16W J	
C627	NCB31HK-103X	C CAPACITOR	0.01uF 50V K		R539	NRSA63J-473X	MG RESISTOR	47kΩ 1/16W J	
C628	NEAG0JM-476X	E CAPACITOR	47uF 6.3V M		R540	NRSA63J-473X	MG RESISTOR	47kΩ 1/16W J	
C629	NCB31EK-333X	C CAPACITOR	0.033uF 25V K		R541	NRSA63J-101X	MG RESISTOR	100Ω 1/16W J	
C630	NCB31EK-333X	C CAPACITOR	0.033uF 25V K		R542	NRSA63J-103X	MG RESISTOR	10kΩ 1/16W J	
C631	NDC31HJ-471X	C CAPACITOR	470pF 50V J		R543	NRSA63J-101X	MG RESISTOR	100Ω 1/16W J	
C632	NDC31HJ-471X	C CAPACITOR	470pF 50V J		R544	NRSA63J-101X	MG RESISTOR	100Ω 1/16W J	
C633	NCB31CK-473X	C CAPACITOR	0.047uF 16V K		R545	NRSA63J-103X	MG RESISTOR	10kΩ 1/16W J	
C634	NCB31CK-473X	C CAPACITOR	0.047uF 16V K		R546	NRSA63J-271X	MG RESISTOR	270Ω 1/16W J	
C635	NCB31CK-473X	C CAPACITOR	0.047uF 16V K		R547	NRSA63J-271X	MG RESISTOR	270Ω 1/16W J	
C636	NCB31CK-473X	C CAPACITOR	0.047uF 16V K		R548	NRSA63J-822X	MG RESISTOR	8.2kΩ 1/16W J	
C637	NCB31CK-473X	C CAPACITOR	0.047uF 16V K		R549	NRSA63J-472X	MG RESISTOR	4.7kΩ 1/16W J	
C638	NCB31HK-103X	C CAPACITOR	0.01uF 50V K		R550	NRSA63J-472X	MG RESISTOR	4.7kΩ 1/16W J	
C639	NEAG0JM-476X	E CAPACITOR	47uF 6.3V M		R551	NRSA63J-104X	MG RESISTOR	100kΩ 1/16W J	
C640	NCB31HK-103X	C CAPACITOR	0.01uF 50V K		R552	NRSA63J-104X	MG RESISTOR	100kΩ 1/16W J	
C641	NEAG0JM-476X	E CAPACITOR	47uF 6.3V M		R553	NRSA63J-183X	MG RESISTOR	18kΩ 1/16W J	

△ Symbol No.	Part No.	Part Name	Description	Local	△ Symbol No.	Part No.	Part Name	Description	Local
Q977	2SB709A/QR/-X	TRANSISTOR			C45	NCB31HK-272X	C CAPACITOR	2700pF 50V K	
D1	MA111-X	SI DIODE			C46	NCB31HK-103X	C CAPACITOR	0.01uF 50V K	
D2	MA111-X	SI DIODE			C47	NCB31HK-103X	C CAPACITOR	0.01uF 50V K	
D4	MA111-X	SI DIODE			C48	NCB31EK-473X	C CAPACITOR	0.047uF 25V K	
D5	MA111-X	SI DIODE			C49	NCB31HK-102X	C CAPACITOR	1000pF 50V K	
D6	MA111-X	SI DIODE			C50	NDC31HJ-101X	C CAPACITOR	100pF 50V J	
D242	MA111-X	SI DIODE			C51	NCB31HK-103X	C CAPACITOR	0.01uF 50V K	
D243	RB160M-30-X	SB DIODE			C81	QERF1HM-105Z	E CAPACITOR	1uF 50V M	
D244	UDZS5.1B-X	Z DIODE			C82	NCB31HK-152X	C CAPACITOR	1500pF 50V K	
D251	UDZS4.7B-X	Z DIODE			C85	NCB31HK-123X	C CAPACITOR	0.012uF 50V K	
D271	MA111-X	SI DIODE			C91	QERF1HM-105Z	E CAPACITOR	1uF 50V M	
D273	MA111-X	SI DIODE			C92	NCB31HK-152X	C CAPACITOR	1500pF 50V K	
D321	MA111-X	SI DIODE			C95	NCB31HK-123X	C CAPACITOR	0.012uF 50V K	
D325	UDZS11B-X	Z DIODE			C161	QEKJ1HM-105Z	E CAPACITOR	1uF 50V M	
D331	MA111-X	SI DIODE			C162	QERF1HM-105Z	E CAPACITOR	1uF 50V M	
D341	MA111-X	SI DIODE			C163	QTE1H55-225Z	E CAPACITOR	2.2uF 50V	
D351	MA111-X	SI DIODE			C165	QERF1HM-105Z	E CAPACITOR	1uF 50V M	
D701	MA8062/M/-X	Z DIODE			C171	QEKJ1HM-105Z	E CAPACITOR	1uF 50V M	
D702	MA8062/M/-X	Z DIODE			C172	QERF1HM-105Z	E CAPACITOR	1uF 50V M	
D703	MA8062/M/-X	Z DIODE			C173	QTE1H55-225Z	E CAPACITOR	2.2uF 50V	
D704	MA8062/M/-X	Z DIODE			C174	QERF1HM-105Z	E CAPACITOR	1uF 50V M	
D705	MA8062/M/-X	Z DIODE			C175	QERF1HM-105Z	E CAPACITOR	1uF 50V M	
D706	MA8062/M/-X	Z DIODE			C176	NCB31HK-473X	C CAPACITOR	0.047uF 50V K	
D707	MA8062/M/-X	Z DIODE			C177	NCB31HK-473X	C CAPACITOR	0.047uF 50V K	
D708	MA8062/M/-X	Z DIODE			C179	QERF1CM-476Z	E CAPACITOR	47uF 16V M	
D709	MA8062/M/-X	Z DIODE			C181	QERF1CM-107Z	E CAPACITOR	100uF 16V M	
D710	MA111-X	SI DIODE			C182	NCB31EK-104X	C CAPACITOR	0.1uF 25V K	
D711	MA8062/M/-X	Z DIODE			C184	NCB31CK-224X	C CAPACITOR	0.22uF 16V K	
D713	UDZS5.6B-X	Z DIODE	1.5kΩ 1/10W J		C241	QERF1HM-105Z	E CAPACITOR	1uF 50V M	
D714	SML-310VT/JK/-X	LED			C242	QERF1CM-226Z	E CAPACITOR	22uF 16V M	
D715	SML-310VT/JK/-X	LED			C243	NCB31EK-473X	C CAPACITOR	0.047uF 25V K	
D716	SML-310VT/JK/-X	LED			C245	QERF1HM-224Z	E CAPACITOR	0.22uF 50V M	
D717	MA8062/M/-X	Z DIODE			C251	NCB31HK-822X	C CAPACITOR	8200pF 50V K	
D718	MA8062/M/-X	Z DIODE			C252	QERF0JM-476Z	E CAPACITOR	47uF 6.3V M	
D719	MA8062/M/-X	Z DIODE			C253	QERF1CM-106Z	E CAPACITOR	10uF 16V M	
D720	MA8062/M/-X	Z DIODE			C254	NCB31EK-823X	C CAPACITOR	0.082uF 25V K	
D781	MA111-X	SI DIODE			C255	QERF1CM-476Z	E CAPACITOR	47uF 16V M	
D782	MA111-X	SI DIODE			C256	NCB31EK-104X	C CAPACITOR	0.1uF 25V K	
D783	MA111-X	SI DIODE			C261	QERF1HM-225Z	E CAPACITOR	2.2uF 50V M	
D784	UDZS11B-X	Z DIODE			C262	QERF1HM-225Z	E CAPACITOR	2.2uF 50V M	
D851	RB160M-30-X	SB DIODE			C272	NDC31HJ-101X	C CAPACITOR	100pF 50V J	
D852	RB160M-30-X	SB DIODE			C273	NDC31HJ-101X	C CAPACITOR	100pF 50V J	
D891	MA111-X	SI DIODE			C274	NCB31EK-223X	C CAPACITOR	0.022uF 25V K	
D892	MA111-X	SI DIODE			C275	NCB31EK-223X	C CAPACITOR	0.022uF 25V K	
D901	1N5401-F64	DIODE			C276	NCB31EK-223X	C CAPACITOR	0.022uF 25V K	
D902	MA111-X	SI DIODE			C277	NCB31EK-562X	C CAPACITOR	5600pF 25V K	
D971	RB160M-30-X	SB DIODE			C278	NCB31EK-123X	C CAPACITOR	0.012uF 25V K	
D972	RB160M-30-X	SB DIODE			C279	QERF0JM-476Z	E CAPACITOR	47uF 6.3V M	
D996	RB160M-30-X	SB DIODE			C281	NCB31EK-823X	C CAPACITOR	0.082uF 25V K	
D997	RB160M-30-X	SB DIODE			C298	NCB31EK-104X	C CAPACITOR	0.1uF 25V K	
C1	QEKJ1CM-226Z	E CAPACITOR	22uF 16V M		C301	QFV91HJ-474Z	MF CAPACITOR	0.47uF 50V J	
C2	NCB31EK-104X	C CAPACITOR	0.1uF 25V K		C302	QFV91HJ-474Z	MF CAPACITOR	0.47uF 50V J	
C3	NCB31EK-104X	C CAPACITOR	0.1uF 25V K		C303	NDC31HJ-101X	C CAPACITOR	100pF 50V J	
C4	QERF1AM-227Z	E CAPACITOR	220uF 10V M		C304	NDC31HJ-101X	C CAPACITOR	100pF 50V J	
C5	QEKJ1HM-104Z	E CAPACITOR	0.1uF 50V M		C311	QFV91HJ-474Z	MF CAPACITOR	0.47uF 50V J	
C6	NCB31EK-104X	C CAPACITOR	0.1uF 25V K		C312	QFV91HJ-474Z	MF CAPACITOR	0.47uF 50V J	
C9	QEKJ1CM-226Z	E CAPACITOR	22uF 16V M		C313	NDC31HJ-101X	C CAPACITOR	100pF 50V J	
C10	NCB31EK-104X	C CAPACITOR	0.1uF 25V K		C314	NDC31HJ-101X	C CAPACITOR	100pF 50V J	
C11	NCB31EK-104X	C CAPACITOR	0.1uF 25V K		C315	QERF1HM-225Z	E CAPACITOR	2.2uF 50V M	
C12	QERF1AM-227Z	E CAPACITOR	220uF 10V M		C316	QERF1EM-475Z	E CAPACITOR	4.7uF 25V M	
C28	NCB31HK-103X	C CAPACITOR	0.01uF 50V K		C317	QERF1CM-226Z	E CAPACITOR	22uF 16V M	
C30	NCB31EK-473X	C CAPACITOR	0.047uF 25V K		C318	QEKJ1HM-225Z	E CAPACITOR	2.2uF 50V M	
C31	QERF1AM-107Z	E CAPACITOR	100uF 10V M		C319	NCB31EK-104X	C CAPACITOR	0.1uF 25V K	
C32	NDC31HJ-470X	C CAPACITOR	47pF 50V J		C320	NCB31EK-104X	C CAPACITOR	0.1uF 25V K	
C33	QEKJ0JM-476Z	E CAPACITOR	47uF 6.3V M		C322	NCB21HK-472X	C CAPACITOR	4700pF 50V K	
C34	NCB31EK-473X	C CAPACITOR	0.047uF 25V K		C323	NCB21HK-472X	C CAPACITOR	4700pF 50V K	
C35	NDC31HJ-100X	C CAPACITOR	10pF 50V J		C324	NCB21HK-472X	C CAPACITOR	4700pF 50V K	
C36	NDC31HJ-7R0X	C CAPACITOR	7pF 50V J		C325	NCB21HK-472X	C CAPACITOR	4700pF 50V K	
C37	NDC31HJ-100X	C CAPACITOR	10pF 50V J		C341	NCB31EK-104X	C CAPACITOR	0.1uF 25V K	
C38	NCB31HK-102X	C CAPACITOR	1000pF 50V K		C367	QERF1EM-475Z	E CAPACITOR	4.7uF 25V M	
C39	NCB31HK-102X	C CAPACITOR	1000pF 50V K		C368	QERF1EM-475Z	E CAPACITOR	4.7uF 25V M	
C40	QERF1CM-106Z	E CAPACITOR	10uF 16V M		C387	QERF1EM-475Z	E CAPACITOR	4.7uF 25V M	
C41	NCB31EK-473X	C CAPACITOR	0.047uF 25V K		C388	QERF1EM-475Z	E CAPACITOR	4.7uF 25V M	
C42	NCB31HK-103X	C CAPACITOR	0.01uF 50V K		C701	NDC31HJ-220X	C CAPACITOR	22pF 50V J	
C43	QFV61HJ-473Z	MF CAPACITOR	0.047uF 50V J		C702	NDC31HJ-270X	C CAPACITOR	27pF 50V J	
C44	NCB31HK-103X	C CAPACITOR	0.01uF 50V K		C703	NDC31HJ-270X	C CAPACITOR	27pF 50V J	
					C704	NDC31HJ-8R0X	C CAPACITOR	8pF 50V J	
					C705	NCB31EK-104X	C CAPACITOR	0.1uF 25V K	

△ Symbol No.	Part No.	Part Name	Description	Local	△ Symbol No.	Part No.	Part Name	Description	Local
C706	NCB31EK-104X	C CAPACITOR	0.1uF 25V K		R39	NRSA63J-0R0X	MG RESISTOR	0Ω 1/16W J	
C707	NCB31EK-104X	C CAPACITOR	0.1uF 25V K		R40	NRSA63J-393X	MG RESISTOR	39kΩ 1/16W J	
C708	NCB31EK-104X	C CAPACITOR	0.1uF 25V K		R41	NRSA63J-103X	MG RESISTOR	10kΩ 1/16W J	
C709	NCB31HK-103X	C CAPACITOR	0.01uF 50V K		R42	NRS181J-100X	MG RESISTOR	10Ω 1/8W J	
C710	QEKJ0JM-476Z	E CAPACITOR	47uF 6.3V M		R43	NRSA63J-471X	MG RESISTOR	470Ω 1/16W J	
C711	QERF1AM-227Z	E CAPACITOR	220uF 10V M		R44	NRSA63J-221X	MG RESISTOR	220Ω 1/16W J	
C713	NCB31CK-224X	C CAPACITOR	0.22uF 16V K		R50	NRSA63J-105X	MG RESISTOR	1MΩ 1/16W J	
C716	NCB31EK-104X	C CAPACITOR	0.1uF 25V K		R52	NRSA63J-223X	MG RESISTOR	22kΩ 1/16W J	
C717	NCB31EK-104X	C CAPACITOR	0.1uF 25V K		R81	NRSA63J-912X	MG RESISTOR	9.1kΩ 1/16W J	
C720	NCB31HK-103X	C CAPACITOR	0.01uF 50V K		R82	NRSA63J-273X	MG RESISTOR	27kΩ 1/16W J	
C721	NCB31HK-103X	C CAPACITOR	0.01uF 50V K		R91	NRSA63J-912X	MG RESISTOR	9.1kΩ 1/16W J	
C722	NCB31HK-103X	C CAPACITOR	0.01uF 50V K		R92	NRSA63J-273X	MG RESISTOR	27kΩ 1/16W J	
C723	NCB31EK-104X	C CAPACITOR	0.1uF 25V K		R158	NRSA63J-103X	MG RESISTOR	10kΩ 1/16W J	
C724	NCB31EK-104X	C CAPACITOR	0.1uF 25V K		R159	NRSA63J-103X	MG RESISTOR	10kΩ 1/16W J	
C725	NCB31AK-224X	C CAPACITOR	0.22uF 10V K		R161	NRSA63J-222X	MG RESISTOR	2.2kΩ 1/16W J	
C726	NCB31EK-104X	C CAPACITOR	0.1uF 25V K		R162	NRSA63J-222X	MG RESISTOR	2.2kΩ 1/16W J	
C727	NCB31EK-104X	C CAPACITOR	0.1uF 25V K		R163	NRSA63J-124X	MG RESISTOR	120kΩ 1/16W J	
C728	NDC31HJ-101X	C CAPACITOR	100pF 50V J		R196	NRSA63J-104X	MG RESISTOR	100kΩ 1/16W J	
C729	NDC31HJ-101X	C CAPACITOR	100pF 50V J		R197	NRSA63J-104X	MG RESISTOR	100kΩ 1/16W J	
C730	NDC31HJ-101X	C CAPACITOR	100pF 50V J		R241	NRSA63J-473X	MG RESISTOR	47kΩ 1/16W J	
C733	NCB31HK-103X	C CAPACITOR	0.01uF 50V K		R242	NRSA63J-223X	MG RESISTOR	22kΩ 1/16W J	
C740	NCB31EK-104X	C CAPACITOR	0.1uF 25V K		R243	NRSA63J-184X	MG RESISTOR	180kΩ 1/16W J	
C741	NCB31AK-224X	C CAPACITOR	0.22uF 10V K		R244	NRSA63J-123X	MG RESISTOR	12kΩ 1/16W J	
C743	NCB31AK-334X	C CAPACITOR	0.33uF 10V K		R245	NRSA63J-470X	MG RESISTOR	47Ω 1/16W J	
C744	NCB31EK-104X	C CAPACITOR	0.1uF 25V K		R246	NRSA63J-102X	MG RESISTOR	1kΩ 1/16W J	
C745	NCB31AK-334X	C CAPACITOR	0.33uF 10V K		R247	NRSA63J-393X	MG RESISTOR	39kΩ 1/16W J	
C746	NCB31EK-104X	C CAPACITOR	0.1uF 25V K		R248	NRSA63J-221X	MG RESISTOR	220Ω 1/16W J	
C747	NCB31EK-473X	C CAPACITOR	0.047uF 25V K		R251	NRSA63J-104X	MG RESISTOR	100kΩ 1/16W J	
C771	NCB31EK-473X	C CAPACITOR	0.047uF 25V K		R252	NRSA63J-513X	MG RESISTOR	51kΩ 1/16W J	
C781	QERF0JM-476Z	E CAPACITOR	47uF 6.3V M		R253	NRSA63J-104X	MG RESISTOR	100kΩ 1/16W J	
C782	NCB31AK-474X	C CAPACITOR	0.47uF 10V K		R255	NRSA63J-0R0X	MG RESISTOR	0Ω 1/16W J	
C784	QERF1CM-107Z	E CAPACITOR	100uF 16V M		R256	NRSA63J-104X	MG RESISTOR	100kΩ 1/16W J	
C801	NCB31EK-473X	C CAPACITOR	0.047uF 25V K		R257	NRSA63J-822X	MG RESISTOR	8.2kΩ 1/16W J	
C802	NCB31HK-472X	C CAPACITOR	4700pF 50V K		R258	NRSA63J-153X	MG RESISTOR	15kΩ 1/16W J	
C803	NDC31HJ-220X	C CAPACITOR	22pF 50V J		R259	NRSA63J-122X	MG RESISTOR	1.2kΩ 1/16W J	
C804	NDC31HJ-220X	C CAPACITOR	22pF 50V J		R260	NRSA63J-473X	MG RESISTOR	47kΩ 1/16W J	
C851	QERF1CM-106Z	E CAPACITOR	10uF 16V M		R261	NRSA63J-821X	MG RESISTOR	820Ω 1/16W J	
C852	NCB31EK-103X	C CAPACITOR	0.01uF 25V K		R271	NRSA63J-222X	MG RESISTOR	2.2kΩ 1/16W J	
C881	QERF1CM-226Z	E CAPACITOR	22uF 16V M		R274	NRSA63J-473X	MG RESISTOR	47kΩ 1/16W J	
C891	NCB31EK-104X	C CAPACITOR	0.1uF 25V K		R275	NRSA63J-105X	MG RESISTOR	1MΩ 1/16W J	
C901	QEZ0723-338	E CAPACITOR	3300uF		R276	NRSA63J-105X	MG RESISTOR	1MΩ 1/16W J	
C902	QERF1HM-225Z	E CAPACITOR	2.2uF 50V M		R277	NRSA63J-105X	MG RESISTOR	1MΩ 1/16W J	
C903	QERF1CM-476Z	E CAPACITOR	47uF 16V M		R278	NRSA63J-105X	MG RESISTOR	1MΩ 1/16W J	
C904	QERF1CM-106Z	E CAPACITOR	10uF 16V M		R279	NRSA63J-473X	MG RESISTOR	47kΩ 1/16W J	
C905	QERF1CM-476Z	E CAPACITOR	47uF 16V M		R291	NRSA63J-0R0X	MG RESISTOR	0Ω 1/16W J	
C906	NCB31EK-104X	C CAPACITOR	0.1uF 25V K		R292	NRSA63J-0R0X	MG RESISTOR	0Ω 1/16W J	
C907	QERF1AM-227Z	E CAPACITOR	220uF 10V M		R293	NRSA63J-101X	MG RESISTOR	100Ω 1/16W J	
C908	QERF1AM-227Z	E CAPACITOR	220uF 10V M		R294	NRSA63J-101X	MG RESISTOR	100Ω 1/16W J	
C909	QERF1AM-227Z	E CAPACITOR	220uF 10V M		R301	NRSA63J-473X	MG RESISTOR	47kΩ 1/16W J	
C910	QERF1CM-476Z	E CAPACITOR	47uF 16V M		R302	NRSA63J-473X	MG RESISTOR	47kΩ 1/16W J	
C911	QERF1CM-106Z	E CAPACITOR	10uF 16V M		R307	NRSA63J-122X	MG RESISTOR	1.2kΩ 1/16W J	
C912	NCB31EK-104X	C CAPACITOR	0.1uF 25V K		R308	NRSA63J-122X	MG RESISTOR	1.2kΩ 1/16W J	
C914	QERF1CM-107Z	E CAPACITOR	100uF 16V M		R311	NRSA63J-473X	MG RESISTOR	47kΩ 1/16W J	
C915	NCB31CK-104X	C CAPACITOR	0.1uF 16V K		R312	NRSA63J-473X	MG RESISTOR	47kΩ 1/16W J	
C916	QERF1CM-476Z	E CAPACITOR	47uF 16V M		R317	NRSA63J-122X	MG RESISTOR	1.2kΩ 1/16W J	
C961	NDC31HJ-471X	C CAPACITOR	470pF 50V J		R318	NRSA63J-122X	MG RESISTOR	1.2kΩ 1/16W J	
C962	NDC31HJ-471X	C CAPACITOR	470pF 50V J		R321	NRSA63J-222X	MG RESISTOR	2.2kΩ 1/16W J	
C963	NDC31HJ-471X	C CAPACITOR	470pF 50V J		R322	NRSA63J-821X	MG RESISTOR	820Ω 1/16W J	
C964	NDC31HJ-471X	C CAPACITOR	470pF 50V J		R323	NRSA63J-101X	MG RESISTOR	100Ω 1/16W J	
C965	NDC31HJ-471X	C CAPACITOR	470pF 50V J		R331	NRSA63J-222X	MG RESISTOR	2.2kΩ 1/16W J	
C966	NDC31HJ-471X	C CAPACITOR	470pF 50V J		R332	NRSA63J-821X	MG RESISTOR	820Ω 1/16W J	
C967	NDC31HJ-471X	C CAPACITOR	470pF 50V J		R333	NRSA63J-101X	MG RESISTOR	100Ω 1/16W J	
C968	NDC31HJ-471X	C CAPACITOR	470pF 50V J		R341	NRSA63J-222X	MG RESISTOR	2.2kΩ 1/16W J	
C971	NCB31EK-104X	C CAPACITOR	0.1uF 25V K		R342	NRSA63J-821X	MG RESISTOR	820Ω 1/16W J	
					R343	NRSA63J-101X	MG RESISTOR	100Ω 1/16W J	
R1	NRS181J-120X	MG RESISTOR	12Ω 1/8W J		R351	NRSA63J-222X	MG RESISTOR	2.2kΩ 1/16W J	
R2	NRSA63J-473X	MG RESISTOR	47kΩ 1/16W J		R352	NRSA63J-821X	MG RESISTOR	820Ω 1/16W J	
R4	NRSA63J-332X	MG RESISTOR	3.3kΩ 1/16W J		R353	NRSA63J-101X	MG RESISTOR	100Ω 1/16W J	
R5	NRSA63J-473X	MG RESISTOR	47kΩ 1/16W J		R368	NRSA63J-473X	MG RESISTOR	47kΩ 1/16W J	
R6	NRSA63J-472X	MG RESISTOR	4.7kΩ 1/16W J		R369	NRSA63J-473X	MG RESISTOR	47kΩ 1/16W J	
R7	NRSA63J-473X	MG RESISTOR	47kΩ 1/16W J		R388	NRSA63J-473X	MG RESISTOR	47kΩ 1/16W J	
R8	NRSA63J-103X	MG RESISTOR	10kΩ 1/16W J		R389	NRSA63J-473X	MG RESISTOR	47kΩ 1/16W J	
R9	NRSA63J-101X	MG RESISTOR	100Ω 1/16W J		R395	NRSA63J-0R0X	MG RESISTOR	0Ω 1/16W J	
R11	NRSA63J-103X	MG RESISTOR	10kΩ 1/16W J		R396	NRSA63J-0R0X	MG RESISTOR	0Ω 1/16W J	
R31	NRS181J-100X	MG RESISTOR	10Ω 1/8W J		R397	NRSA63J-0R0X	MG RESISTOR	0Ω 1/16W J	
R32	NRSA63J-622X	MG RESISTOR	6.2kΩ 1/16W J		R398	NRSA63J-0R0X	MG RESISTOR	0Ω 1/16W J	
R33	NRSA63J-103X	MG RESISTOR	10kΩ 1/16W J		R701	NRSA63J-473X	MG RESISTOR	47kΩ 1/16W J	
R38	NRSA63J-101X	MG RESISTOR	100Ω 1/16W J		R709	NRSA63J-103X	MG RESISTOR	10kΩ 1/16W J	

△ Symbol No.	Part No.	Part Name	Description	Local	△ Symbol No.	Part No.	Part Name	Description	Local		
R714	NRSA63J-103X	MG RESISTOR	10kΩ 1/16W J		R976	NRSA02J-203X	MG RESISTOR	20kΩ 1/10W J			
R719	NRSA63J-0R0X	MG RESISTOR	0Ω 1/16W J		R977	NRSA02J-822X	MG RESISTOR	8.2kΩ 1/10W J			
R720	NRSA63J-122X	MG RESISTOR	1.2kΩ 1/16W J		RA30	NRZ0065-222X	NET RESISTOR	2.2kΩ			
R721	NRSA63J-102X	MG RESISTOR	1kΩ 1/16W J		L1	QQL244J-4R7Z	COIL	4.7uH J			
R722	NRSA63J-103X	MG RESISTOR	10kΩ 1/16W J		L701	QQL244K-4R7Z	COIL	4.7uH K			
R723	NRSA63J-103X	MG RESISTOR	10kΩ 1/16W J		L702	NQL79GM-4R7X	COIL	4.7uH M			
R725	NRSA63J-103X	MG RESISTOR	10kΩ 1/16W J		L901	QQR1378-002	COIL				
R726	NRSA63J-103X	MG RESISTOR	10kΩ 1/16W J		CN101	QGB2027M4-22S	CONNECTOR	B-B (1-22)			
R728	NRSA63J-103X	MG RESISTOR	10kΩ 1/16W J		CN251	QGA2501C1-03	CONNECTOR	W-B (1-3)			
R729	NRSA63J-473X	MG RESISTOR	47kΩ 1/16W J		CN701	QNZ0605-001	CAR CONNECTOR				
R730	NRSA63J-103X	MG RESISTOR	10kΩ 1/16W J		CN901	QNZ0611-001	16P CONNECTOR				
R731	NRSA63J-473X	MG RESISTOR	47kΩ 1/16W J		J1	QNB0100-002	CAR ANT JACK				
R732	NRSA63J-103X	MG RESISTOR	10kΩ 1/16W J		J321	QNN0489-001	PIN JACK				
R734	NRSA63J-222X	MG RESISTOR	2.2kΩ 1/16W J		J801	QNZ0095-001	CONNECTOR				
R735	NRSA63J-222X	MG RESISTOR	2.2kΩ 1/16W J		S701	QSW0451-001	DETECT SW				
R736	NRSA63J-222X	MG RESISTOR	2.2kΩ 1/16W J		S702	QSW0451-001	DETECT SW				
R737	NRSA63J-0R0X	MG RESISTOR	0Ω 1/16W J		S703	QSW1049-001Z	TACT SW				
R738	NRSA63J-472X	MG RESISTOR	4.7kΩ 1/16W J		TU1	QAU0223-001	TUNER				
R739	NRSA63J-472X	MG RESISTOR	4.7kΩ 1/16W J		X31	QAX0616-001Z	CRYSTAL	10.250MHz			
R740	NRSA63J-472X	MG RESISTOR	4.7kΩ 1/16W J		X701	QAX0617-001Z	CRYSTAL	12.500MHz			
R741	NRSA63J-103X	MG RESISTOR	10kΩ 1/16W J		X702	QAX0401-001	CRYSTAL	32.768KHz			
R743	NRSA63J-103X	MG RESISTOR	10kΩ 1/16W J		Switch board (KD-G615_UH2,UN2,U2)						
R744	NRSA63J-103X	MG RESISTOR	10kΩ 1/16W J							Block No. [0][5]	
R745	NRSA63J-103X	MG RESISTOR	10kΩ 1/16W J		△ Symbol No.	Part No.	Part Name	Description	Local		
R746	NRSA63J-103X	MG RESISTOR	10kΩ 1/16W J		IC601	PT6523LQ-L	LCD DRIVER				
R747	NRSA63J-472X	MG RESISTOR	4.7kΩ 1/16W J		IC602	RPM7338-V4	RM.RECEIVER				
R748	NRSA63J-472X	MG RESISTOR	4.7kΩ 1/16W J		Q640	2SB624/4/-X	TRANSISTOR				
R749	NRSA63J-472X	MG RESISTOR	4.7kΩ 1/16W J		Q641	UN2211-X	TRANSISTOR				
R750	NRSA63J-103X	MG RESISTOR	10kΩ 1/16W J		D601	SML-310VT/JK/-X	LED				
R751	NRSA63J-103X	MG RESISTOR	10kΩ 1/16W J		D602	SML-310VT/JK/-X	LED				
R753	NRSA63J-473X	MG RESISTOR	47kΩ 1/16W J		D603	SML-310VT/JK/-X	LED				
R754	NRSA63J-821X	MG RESISTOR	820Ω 1/16W J		D604	SML-310VT/JK/-X	LED				
R755	NRSA63J-106X	MG RESISTOR	10MΩ 1/16W J		D605	SML-310VT/JK/-X	LED				
R756	NRSA63J-473X	MG RESISTOR	47kΩ 1/16W J		D606	SML-310VT/JK/-X	LED				
R757	NRSA63J-222X	MG RESISTOR	2.2kΩ 1/16W J		D607	SML-310VT/JK/-X	LED				
R758	NRSA63J-473X	MG RESISTOR	47kΩ 1/16W J		D608	CL-190UB2-X-X	LED				
R759	NRSA63J-473X	MG RESISTOR	47kΩ 1/16W J		D609	CL-190UB2-X-X	LED				
R763	NRSA63J-102X	MG RESISTOR	1kΩ 1/16W J		D610	SML-310VT/JK/-X	LED				
R764	NRSA63J-101X	MG RESISTOR	100Ω 1/16W J		D611	SML-310VT/JK/-X	LED				
R765	NRS181J-271X	MG RESISTOR	270Ω 1/8W J		D612	SML-310VT/JK/-X	LED				
R766	NRSA63J-473X	MG RESISTOR	47kΩ 1/16W J		D613	SML-310VT/JK/-X	LED				
R767	NRSA63J-473X	MG RESISTOR	47kΩ 1/16W J		D614	SML-310VT/JK/-X	LED				
R770	NRSA63J-473X	MG RESISTOR	47kΩ 1/16W J		D615	SML-310VT/JK/-X	LED				
R771	NRSA63J-271X	MG RESISTOR	270Ω 1/16W J		D616	SML-310VT/JK/-X	LED				
R772	NRSA63J-271X	MG RESISTOR	270Ω 1/16W J		D617	SML-310VT/JK/-X	LED				
R775	NRSA63J-473X	MG RESISTOR	47kΩ 1/16W J		D618	SML-310VT/JK/-X	LED				
R776	NRSA63J-473X	MG RESISTOR	47kΩ 1/16W J		D619	SML-310VT/JK/-X	LED				
R780	NRSA63J-473X	MG RESISTOR	47kΩ 1/16W J		D640	MA152WK-X	SI DIODE				
R781	NRSA63J-473X	MG RESISTOR	47kΩ 1/16W J		D641	UDZS5.1B-X	Z DIODE				
R783	NRSA63J-103X	MG RESISTOR	10kΩ 1/16W J		D642	MA111-X	SI DIODE				
R784	NRSA63J-473X	MG RESISTOR	47kΩ 1/16W J		D643	MA8062/M/-X	Z DIODE				
R785	NRSA63J-222X	MG RESISTOR	2.2kΩ 1/16W J		D645	NSPW310BS/BRS/	LED				
R787	NRSA63J-103X	MG RESISTOR	10kΩ 1/16W J		D646	NSPW310BS/BRS/	LED				
R791	NRSA63J-0R0X	MG RESISTOR	0Ω 1/16W J		C601	NCB31HK-223X	C CAPACITOR	0.022uF 50V K			
R792	NRSA63J-0R0X	MG RESISTOR	0Ω 1/16W J		C602	NCS31HJ-681X	C CAPACITOR	680pF 50V J			
R793	NRSA63J-0R0X	MG RESISTOR	0Ω 1/16W J		C603	NBE20JM-106X	TA E CAPACITOR	10uF 6.3V M			
R799	NRSA63J-0R0X	MG RESISTOR	0Ω 1/16W J		C611	NCB31HK-123X	C CAPACITOR	0.012uF 50V K			
R801	NRSA63J-473X	MG RESISTOR	47kΩ 1/16W J		C612	NBE20JM-475X	TA E CAPACITOR	4.7uF 6.3V M			
R802	NRSA63J-473X	MG RESISTOR	47kΩ 1/16W J		R601	NRSA63J-821X	MG RESISTOR	820Ω 1/16W J			
R803	NRSA63J-101X	MG RESISTOR	100Ω 1/16W J		R602	NRSA63J-821X	MG RESISTOR	820Ω 1/16W J			
R804	NRSA63J-223X	MG RESISTOR	22kΩ 1/16W J		R603	NRSA63J-122X	MG RESISTOR	1.2kΩ 1/16W J			
R805	NRSA63J-104X	MG RESISTOR	100kΩ 1/16W J		R604	NRSA63J-182X	MG RESISTOR	1.8kΩ 1/16W J			
R806	NRSA63J-103X	MG RESISTOR	10kΩ 1/16W J		R605	NRSA63J-272X	MG RESISTOR	2.7kΩ 1/16W J			
R807	NRSA63J-104X	MG RESISTOR	100kΩ 1/16W J		R606	NRSA63J-392X	MG RESISTOR	3.9kΩ 1/16W J			
R808	NRSA63J-331X	MG RESISTOR	330Ω 1/16W J		R607	NRSA63J-821X	MG RESISTOR	820Ω 1/16W J			
R809	NRSA63J-223X	MG RESISTOR	22kΩ 1/16W J								
R810	NRSA63J-101X	MG RESISTOR	100Ω 1/16W J								
R851	NRSA63J-103X	MG RESISTOR	10kΩ 1/16W J								
R881	NRSA63J-473X	MG RESISTOR	47kΩ 1/16W J								
R882	NRSA63J-472X	MG RESISTOR	4.7kΩ 1/16W J								
R891	NRSA63J-102X	MG RESISTOR	1kΩ 1/16W J								
R892	NRSA63J-473X	MG RESISTOR	47kΩ 1/16W J								
R893	NRSA63J-0R0X	MG RESISTOR	0Ω 1/16W J								
R901	QRE142J-102X	C RESISTOR	1kΩ 1/4W J								
R902	NRSA02J-912X	MG RESISTOR	9.1kΩ 1/10W J								
R903	NRSA02J-472X	MG RESISTOR	4.7kΩ 1/10W J								
R904	NRSA02J-221X	MG RESISTOR	220Ω 1/10W J								
R971	NRS181J-222X	MG RESISTOR	2.2kΩ 1/8W J								
R972	NRS181J-222X	MG RESISTOR	2.2kΩ 1/8W J								

△ Symbol No.	Part No.	Part Name	Description	Local
R608	NRSA63J-821X	MG RESISTOR	820Ω 1/16W J	
R609	NRSA63J-122X	MG RESISTOR	1.2kΩ 1/16W J	
R610	NRSA63J-182X	MG RESISTOR	1.8kΩ 1/16W J	
R611	NRSA63J-272X	MG RESISTOR	2.7kΩ 1/16W J	
R612	NRSA63J-392X	MG RESISTOR	3.9kΩ 1/16W J	
R613	NRSA63J-821X	MG RESISTOR	820Ω 1/16W J	
R614	NRSA63J-821X	MG RESISTOR	820Ω 1/16W J	
R620	NRSA63J-0R0X	MG RESISTOR	0Ω 1/16W J	
R621	NRSA63J-0R0X	MG RESISTOR	0Ω 1/16W J	
R630	NRSA63J-102X	MG RESISTOR	1kΩ 1/16W J	
R632	NRSA63J-821X	MG RESISTOR	820Ω 1/16W J	
R634	NRSA63J-331X	MG RESISTOR	330Ω 1/16W J	
R636	NRSA63J-331X	MG RESISTOR	330Ω 1/16W J	
R638	NRSA63J-471X	MG RESISTOR	470Ω 1/16W J	
R640	NRSA02J-331X	MG RESISTOR	330Ω 1/10W J	
R641	NRSA02J-181X	MG RESISTOR	180Ω 1/10W J	
R642	NRSA02J-331X	MG RESISTOR	330Ω 1/10W J	
R643	NRSA02J-391X	MG RESISTOR	390Ω 1/10W J	
R644	NRSA63J-471X	MG RESISTOR	470Ω 1/16W J	
R646	NRSA63J-471X	MG RESISTOR	470Ω 1/16W J	
R648	NRSA63J-331X	MG RESISTOR	330Ω 1/16W J	
R651	NRSA63J-222X	MG RESISTOR	2.2kΩ 1/16W J	
R652	NRSA63J-222X	MG RESISTOR	2.2kΩ 1/16W J	
R653	NRSA63J-103X	MG RESISTOR	10kΩ 1/16W J	
R654	NRSA63J-103X	MG RESISTOR	10kΩ 1/16W J	
R655	NRSA63J-103X	MG RESISTOR	10kΩ 1/16W J	
R656	NRSA63J-103X	MG RESISTOR	10kΩ 1/16W J	
R657	NRSA63J-513X	MG RESISTOR	51kΩ 1/16W J	
R658	NRSA63J-184X	MG RESISTOR	180kΩ 1/16W J	
R660	NRSA02J-391X	MG RESISTOR	390Ω 1/10W J	
R661	NRSA02J-391X	MG RESISTOR	390Ω 1/10W J	
R670	NRSA63J-0R0X	MG RESISTOR	0Ω 1/16W J	
R672	NRSA02J-471X	MG RESISTOR	470Ω 1/10W J	
R673	NRSA02J-473X	MG RESISTOR	47kΩ 1/10W J	
R674	NRSA02J-102X	MG RESISTOR	1kΩ 1/10W J	
R691	NRSA63J-103X	MG RESISTOR	10kΩ 1/16W J	
R692	NRSA63J-471X	MG RESISTOR	470Ω 1/16W J	
CN601	NNZ0085-001	CAR CONNECTOR		
EN601	QSW1115-002	ROTARY ENCODER		
J601	QNS0245-001	AUX JACK		
S601	NSW0206-001X	TACT SWITCH		
S602	NSW0206-001X	TACT SWITCH		
S603	NSW0206-001X	TACT SWITCH		
S604	NSW0206-001X	TACT SWITCH		
S605	NSW0206-001X	TACT SWITCH		
S606	NSW0206-001X	TACT SWITCH		
S607	NSW0206-001X	TACT SWITCH		
S608	NSW0206-001X	TACT SWITCH		
S609	NSW0206-001X	TACT SWITCH		
S610	NSW0206-001X	TACT SWITCH		
S611	NSW0206-001X	TACT SWITCH		
S612	NSW0206-001X	TACT SWITCH		
S613	NSW0206-001X	TACT SWITCH		
S614	NSW0206-001X	TACT SWITCH		
S616	NSW0206-001X	TACT SWITCH		
S617	NSW0206-001X	TACT SWITCH		

Mechanism control board (KD-G615_UH2,UN2,U2)

Block No. [0][6]

△ Symbol No.	Part No.	Part Name	Description	Local
IC501	TMP91CW12AF5VD9	IC		
IC502	BR24L01AFV-W-X	IC		
IC503	SN74AHCT126PW-X	IC(DIGITAL)		
IC504	NJU7241F33-X	IC		
IC571	PCM1753-X	IC		
IC572	NJM4580V-X	IC		
IC573	SN74AHC04PW-X	IC		
IC601	TA2157FN-X	RF AMP IC		
IC621	TC94A14FA	CD LSI IC		
IC651	NJU7772F15-X	IC		
IC652	TC94A34FG-002	IC		
IC681	BA5830FP-X	IC		
Q501	UN2111-X	TRANSISTOR		
Q502	UN2211-X	TRANSISTOR		
Q571	UN2111-X	TRANSISTOR		
Q572	UN2211-X	TRANSISTOR		
Q573	2SB624/4/-X	TRANSISTOR		
Q574	UN2211-X	TRANSISTOR		
Q601	2SB1132/QR/-W	TRANSISTOR		
Q651	2SB624/4/-X	TRANSISTOR		
Q652	UN2211-X	TRANSISTOR		
Q681	2SB1184/QR/-X	TRANSISTOR		
D506	MA111-X	SI DIODE		
D682	1SR154-400-X	DIODE		
C501	NCB31HK-103X	C CAPACITOR	0.01uF 50V K	
C502	NCB31HK-103X	C CAPACITOR	0.01uF 50V K	
C503	NEAG0JM-107X	E CAPACITOR	100uF 6.3V M	
C504	NDC31HJ-220X	C CAPACITOR	22pF 50V J	
C505	NDC31HJ-220X	C CAPACITOR	22pF 50V J	
C506	NCB31HK-103X	C CAPACITOR	0.01uF 50V K	
C507	NCB31HK-103X	C CAPACITOR	0.01uF 50V K	
C508	NCB31HK-103X	C CAPACITOR	0.01uF 50V K	
C509	NCB31HK-103X	C CAPACITOR	0.01uF 50V K	
C510	NCB31HK-103X	C CAPACITOR	0.01uF 50V K	
C511	NCB31CK-104X	C CAPACITOR	0.1uF 16V K	
C512	NEAG0JM-107X	E CAPACITOR	100uF 6.3V M	
C513	NCB31HK-103X	C CAPACITOR	0.01uF 50V K	
C514	NCS31HJ-102X	C CAPACITOR	1000pF 50V J	
C551	NCB31HK-103X	C CAPACITOR	0.01uF 50V K	
C561	NCB31EK-123X	C CAPACITOR	0.012uF 25V K	
C571	NDC31HJ-270X	C CAPACITOR	27pF 50V J	
C572	NDC31HJ-270X	C CAPACITOR	27pF 50V J	
C573	NCB31CK-104X	C CAPACITOR	0.1uF 16V K	
C574	NEAG0JM-107X	E CAPACITOR	100uF 6.3V M	
C575	NEAG0JM-107X	E CAPACITOR	100uF 6.3V M	
C577	NCB31CK-104X	C CAPACITOR	0.1uF 16V K	
C578	NEAG0JM-107X	E CAPACITOR	100uF 6.3V M	
C580	NCB31EK-123X	C CAPACITOR	0.012uF 25V K	
C581	NDC31HJ-101X	C CAPACITOR	100pF 50V J	
C582	NDC31HJ-101X	C CAPACITOR	100pF 50V J	
C583	NCS31HJ-821X	C CAPACITOR	820pF 50V J	
C584	NCS31HJ-821X	C CAPACITOR	820pF 50V J	
C585	NEAG1VM-475X	E CAPACITOR	4.7uF 35V M	
C586	NEAG1VM-475X	E CAPACITOR	4.7uF 35V M	
C587	NDC31HJ-151X	C CAPACITOR	150pF 50V J	
C588	NDC31HJ-151X	C CAPACITOR	150pF 50V J	
C589	NEAG1VM-475X	E CAPACITOR	4.7uF 35V M	
C590	NEAG1VM-475X	E CAPACITOR	4.7uF 35V M	
C591	NEAG0JM-476X	E CAPACITOR	47uF 6.3V M	
C592	NEAG0JM-476X	E CAPACITOR	47uF 6.3V M	
C593	NEAG1CM-476X	E CAPACITOR	47uF 16V M	
C594	NCS31HJ-102X	C CAPACITOR	1000pF 50V J	
C595	NCB31CK-473X	C CAPACITOR	0.047uF 16V K	
C596	NDC31HJ-101X	C CAPACITOR	100pF 50V J	
C597	NCS31HJ-102X	C CAPACITOR	1000pF 50V J	
C598	NCS31HJ-102X	C CAPACITOR	1000pF 50V J	
C601	NEAG0JM-476X	E CAPACITOR	47uF 6.3V M	
C602	NCB31HK-103X	C CAPACITOR	0.01uF 50V K	
C603	NEAG0JM-107X	E CAPACITOR	100uF 6.3V M	

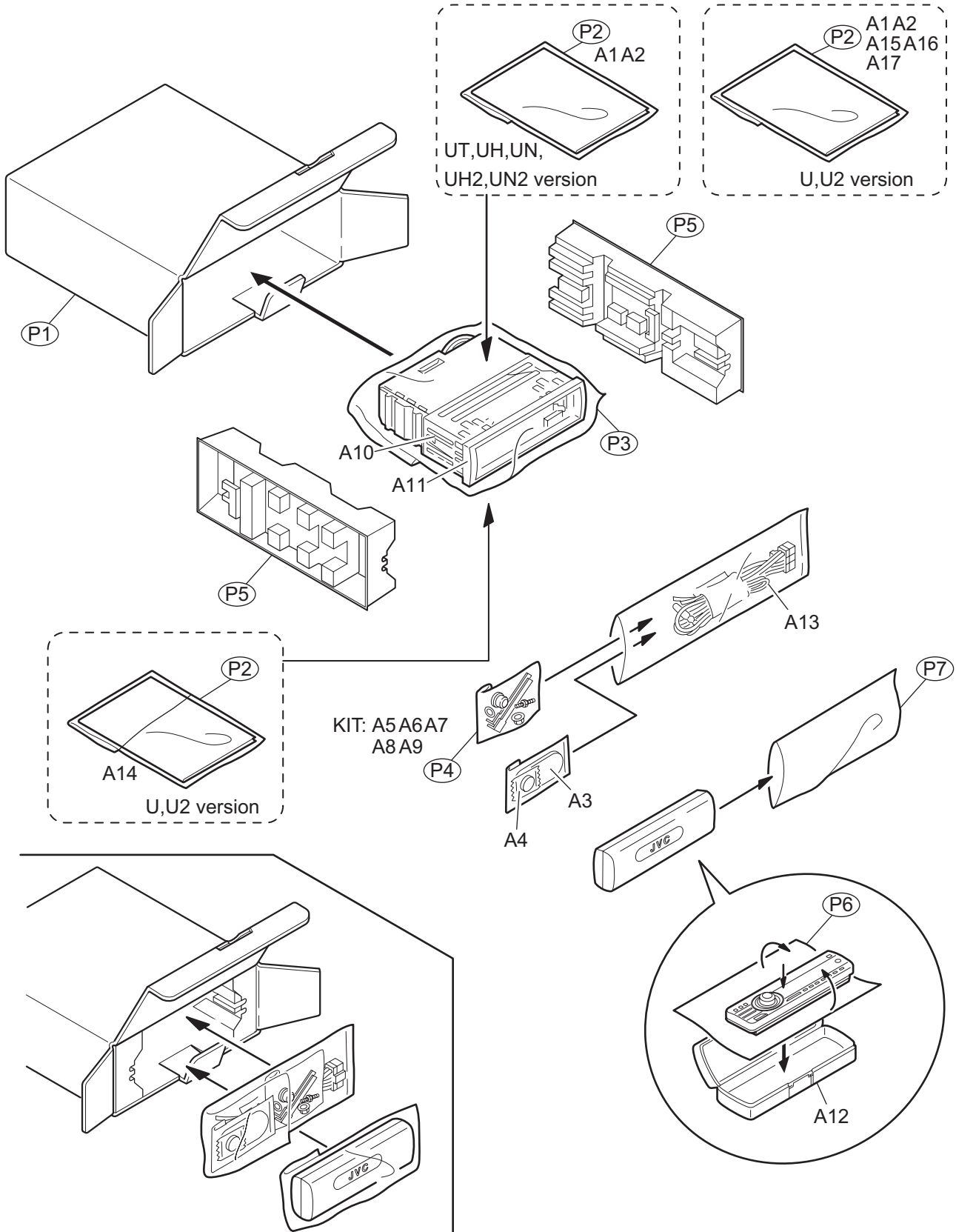
△ Symbol No.	Part No.	Part Name	Description	Local	△ Symbol No.	Part No.	Part Name	Description	Local
C604	NCB31HK-103X	C CAPACITOR	0.01uF 50V K		R517	NRSA63J-101X	MG RESISTOR	100Ω 1/16W J	
C605	NCB31HK-682X	C CAPACITOR	6800pF 50V K		R518	NRSA63J-101X	MG RESISTOR	100Ω 1/16W J	
C606	NEAG0JM-476X	E CAPACITOR	47uF 6.3V M		R519	NRSA63J-101X	MG RESISTOR	100Ω 1/16W J	
C607	NCB31HK-103X	C CAPACITOR	0.01uF 50V K		R520	NRSA63J-101X	MG RESISTOR	100Ω 1/16W J	
C608	NCB31CK-104X	C CAPACITOR	0.1uF 16V K		R521	NRSA63J-101X	MG RESISTOR	100Ω 1/16W J	
C609	NCB31CK-104X	C CAPACITOR	0.1uF 16V K		R522	NRSA63J-101X	MG RESISTOR	100Ω 1/16W J	
C610	NDC31HJ-5R0X	C CAPACITOR	5pF 50V J		R523	NRSA63J-101X	MG RESISTOR	100Ω 1/16W J	
C611	NDC31HJ-680X	C CAPACITOR	68pF 50V J		R525	NRSA63J-104X	MG RESISTOR	100kΩ 1/16W J	
C612	NCB31HK-103X	C CAPACITOR	0.01uF 50V K		R526	NRSA63J-473X	MG RESISTOR	47kΩ 1/16W J	
C613	NCB31HK-103X	C CAPACITOR	0.01uF 50V K		R528	NRSA63J-473X	MG RESISTOR	47kΩ 1/16W J	
C614	NCB31HK-103X	C CAPACITOR	0.01uF 50V K		R530	NRSA63J-473X	MG RESISTOR	47kΩ 1/16W J	
C616	NBE20JM-106X	TA E CAPACITOR	10uF 6.3V M		R531	NRSA63J-473X	MG RESISTOR	47kΩ 1/16W J	
C621	NCB31HK-103X	C CAPACITOR	0.01uF 50V K		R532	NRSA63J-102X	MG RESISTOR	1kΩ 1/16W J	
C622	NEAG0JM-476X	E CAPACITOR	47uF 6.3V M		R533	NRSA63J-101X	MG RESISTOR	100Ω 1/16W J	
C623	NDC31HJ-470X	C CAPACITOR	47pF 50V J		R534	NRSA63J-101X	MG RESISTOR	100Ω 1/16W J	
C624	NCB31HK-153X	C CAPACITOR	0.015uF 50V K		R535	NRSA63J-101X	MG RESISTOR	100Ω 1/16W J	
C625	NCB31HK-103X	C CAPACITOR	0.01uF 50V K		R536	NRSA63J-101X	MG RESISTOR	100Ω 1/16W J	
C626	NCB31HK-272X	C CAPACITOR	2700pF 50V K		R537	NRSA63J-101X	MG RESISTOR	100Ω 1/16W J	
C627	NCB31HK-103X	C CAPACITOR	0.01uF 50V K		R539	NRSA63J-473X	MG RESISTOR	47kΩ 1/16W J	
C628	NEAG0JM-476X	E CAPACITOR	47uF 6.3V M		R540	NRSA63J-473X	MG RESISTOR	47kΩ 1/16W J	
C629	NCB31EK-333X	C CAPACITOR	0.033uF 25V K		R541	NRSA63J-101X	MG RESISTOR	100Ω 1/16W J	
C630	NCB31EK-333X	C CAPACITOR	0.033uF 25V K		R542	NRSA63J-103X	MG RESISTOR	10kΩ 1/16W J	
C631	NDC31HJ-471X	C CAPACITOR	470pF 50V J		R543	NRSA63J-101X	MG RESISTOR	100Ω 1/16W J	
C632	NDC31HJ-471X	C CAPACITOR	470pF 50V J		R544	NRSA63J-101X	MG RESISTOR	100Ω 1/16W J	
C633	NCB31CK-473X	C CAPACITOR	0.047uF 16V K		R545	NRSA63J-103X	MG RESISTOR	10kΩ 1/16W J	
C634	NCB31CK-473X	C CAPACITOR	0.047uF 16V K		R546	NRSA63J-271X	MG RESISTOR	270Ω 1/16W J	
C635	NCB31CK-473X	C CAPACITOR	0.047uF 16V K		R547	NRSA63J-271X	MG RESISTOR	270Ω 1/16W J	
C636	NCB31CK-473X	C CAPACITOR	0.047uF 16V K		R548	NRSA63J-822X	MG RESISTOR	8.2kΩ 1/16W J	
C637	NCB31CK-473X	C CAPACITOR	0.047uF 16V K		R549	NRSA63J-472X	MG RESISTOR	4.7kΩ 1/16W J	
C638	NCB31HK-103X	C CAPACITOR	0.01uF 50V K		R550	NRSA63J-472X	MG RESISTOR	4.7kΩ 1/16W J	
C639	NEAG0JM-476X	E CAPACITOR	47uF 6.3V M		R551	NRSA63J-104X	MG RESISTOR	100kΩ 1/16W J	
C640	NCB31HK-103X	C CAPACITOR	0.01uF 50V K		R552	NRSA63J-104X	MG RESISTOR	100kΩ 1/16W J	
C641	NEAG0JM-476X	E CAPACITOR	47uF 6.3V M		R553	NRSA63J-183X	MG RESISTOR	18kΩ 1/16W J	
C642	NDC31HJ-101X	C CAPACITOR	100pF 50V J		R554	NRSA63J-333X	MG RESISTOR	33kΩ 1/16W J	
C643	NCB31HK-103X	C CAPACITOR	0.01uF 50V K		R555	NRSA63J-101X	MG RESISTOR	100Ω 1/16W J	
C644	NCB31AK-334X	C CAPACITOR	0.33uF 10V K		R556	NRSA63J-0R0X	MG RESISTOR	0Ω 1/16W J	
C645	NEAG0JM-476X	E CAPACITOR	47uF 6.3V M		R557	NRSA63J-104X	MG RESISTOR	100kΩ 1/16W J	
C646	NCB31HK-103X	C CAPACITOR	0.01uF 50V K		R558	NRSA63J-104X	MG RESISTOR	100kΩ 1/16W J	
C651	NEAG0JM-476X	E CAPACITOR	47uF 6.3V M		R559	NRSA63J-0R0X	MG RESISTOR	0Ω 1/16W J	
C652	NCB31HK-103X	C CAPACITOR	0.01uF 50V K		R560	NRSA63J-101X	MG RESISTOR	100Ω 1/16W J	
C653	NEAG0JM-476X	E CAPACITOR	47uF 6.3V M		R561	NRSA63J-104X	MG RESISTOR	100kΩ 1/16W J	
C654	NCB31CK-104X	C CAPACITOR	0.1uF 16V K		R562	NRSA63J-392X	MG RESISTOR	3.9kΩ 1/16W J	
C655	NCB31HK-103X	C CAPACITOR	0.01uF 50V K		R563	NRSA63J-682X	MG RESISTOR	6.8kΩ 1/16W J	
C656	NCB31CK-104X	C CAPACITOR	0.1uF 16V K		R568	NRSA63J-102X	MG RESISTOR	1kΩ 1/16W J	
C659	NCB31CK-104X	C CAPACITOR	0.1uF 16V K		R569	NRSA63J-102X	MG RESISTOR	1kΩ 1/16W J	
C660	NDC31HJ-101X	C CAPACITOR	100pF 50V J		R570	NRSA63J-102X	MG RESISTOR	1kΩ 1/16W J	
C661	NCB31HK-103X	C CAPACITOR	0.01uF 50V K		R572	NRSA63J-225X	MG RESISTOR	2.2MΩ 1/16W J	
C662	NDC31HJ-101X	C CAPACITOR	100pF 50V J		R573	NRSA63J-102X	MG RESISTOR	1kΩ 1/16W J	
C663	NBE20JM-106X	TA E CAPACITOR	10uF 6.3V M		R574	NRSA63J-470X	MG RESISTOR	47Ω 1/16W J	
C664	NCB31HK-222X	C CAPACITOR	2200pF 50V K		R575	NRSA63J-102X	MG RESISTOR	1kΩ 1/16W J	
C665	NCB31EK-104X	C CAPACITOR	0.1uF 25V K		R576	NRSA63J-102X	MG RESISTOR	1kΩ 1/16W J	
C666	NDC31HJ-101X	C CAPACITOR	100pF 50V J		R577	NRSA63J-101X	MG RESISTOR	100Ω 1/16W J	
C667	NCB31HK-103X	C CAPACITOR	0.01uF 50V K		R578	NRSA63J-473X	MG RESISTOR	47kΩ 1/16W J	
C668	NEAG0JM-476X	E CAPACITOR	47uF 6.3V M		R579	NRSA63J-222X	MG RESISTOR	2.2kΩ 1/16W J	
C669	NCB31HK-103X	C CAPACITOR	0.01uF 50V K		R581	NRSA63J-243X	MG RESISTOR	24kΩ 1/16W J	
C682	NEAG1VM-475X	E CAPACITOR	4.7uF 35V M		R582	NRSA63J-243X	MG RESISTOR	24kΩ 1/16W J	
C683	NCB31CK-104X	C CAPACITOR	0.1uF 16V K		R583	NRSA63J-822X	MG RESISTOR	8.2kΩ 1/16W J	
C684	NEAG1CM-476X	E CAPACITOR	47uF 16V M		R584	NRSA63J-822X	MG RESISTOR	8.2kΩ 1/16W J	
C689	NEAG1CM-476X	E CAPACITOR	47uF 16V M		R585	NRSA63J-273X	MG RESISTOR	27kΩ 1/16W J	
C690	NBE20JM-106X	TA E CAPACITOR	10uF 6.3V M		R586	NRSA63J-273X	MG RESISTOR	27kΩ 1/16W J	
C693	NEAG1CM-476X	E CAPACITOR	47uF 16V M		R587	NRSA63J-473X	MG RESISTOR	47kΩ 1/16W J	
					R588	NRSA63J-473X	MG RESISTOR	47kΩ 1/16W J	
R501	NRSA63J-102X	MG RESISTOR	1kΩ 1/16W J		R589	NRSA63J-103X	MG RESISTOR	10kΩ 1/16W J	
R502	NRSA63J-102X	MG RESISTOR	1kΩ 1/16W J		R590	NRSA63J-103X	MG RESISTOR	10kΩ 1/16W J	
R503	NRSA63J-102X	MG RESISTOR	1kΩ 1/16W J		R591	NRSA63J-103X	MG RESISTOR	10kΩ 1/16W J	
R504	NRSA63J-101X	MG RESISTOR	100Ω 1/16W J		R592	NRSA63J-103X	MG RESISTOR	10kΩ 1/16W J	
R505	NRSA63J-101X	MG RESISTOR	100Ω 1/16W J		R593	NRSA63J-4R7X	MG RESISTOR	4.7Ω 1/16W J	
R506	NRSA63J-473X	MG RESISTOR	47kΩ 1/16W J		R594	NRSA63J-470X	MG RESISTOR	47Ω 1/16W J	
R507	NRSA63J-473X	MG RESISTOR	47kΩ 1/16W J		R595	NRSA63J-470X	MG RESISTOR	47Ω 1/16W J	
R508	NRSA63J-473X	MG RESISTOR	47kΩ 1/16W J		R601	NRSA63J-823X	MG RESISTOR	82kΩ 1/16W J	
R509	NRSA63J-473X	MG RESISTOR	47kΩ 1/16W J		R602	NRSA63J-823X	MG RESISTOR	82kΩ 1/16W J	
R510	NRSA63J-101X	MG RESISTOR	100Ω 1/16W J		R603	NRSA63J-334X	MG RESISTOR	330kΩ 1/16W J	
R511	NRSA63J-102X	MG RESISTOR	1kΩ 1/16W J		R604	NRSA63J-334X	MG RESISTOR	330kΩ 1/16W J	
R512	NRSA63J-473X	MG RESISTOR	47kΩ 1/16W J		R605	NRSA63J-220X	MG RESISTOR	22Ω 1/16W J	
R513	NRSA63J-102X	MG RESISTOR	1kΩ 1/16W J		R606	NRSA63J-220X	MG RESISTOR	22Ω 1/16W J	
R514	NRSA63J-473X	MG RESISTOR	47kΩ 1/16W J		R607	NRSA63J-823X	MG RESISTOR	82kΩ 1/16W J	
R515	NRSA63J-473X	MG RESISTOR	47kΩ 1/16W J		R608	NRSA63J-821X	MG RESISTOR	820Ω 1/16W J	
R516	NRSA63J-102X	MG RESISTOR	1kΩ 1/16W J		R609	NRSA63J-563X	MG RESISTOR	56kΩ 1/16W J	

△ Symbol No.	Part No.	Part Name	Description	Local
R610	NRSA63J-101X	MG RESISTOR	100Ω 1/16W J	
R611	NRSA63J-103X	MG RESISTOR	10kΩ 1/16W J	
R612	NRSA63J-202X	MG RESISTOR	2kΩ 1/16W J	
R613	NRSA63J-102X	MG RESISTOR	1kΩ 1/16W J	
R614	NRSA63J-153X	MG RESISTOR	15kΩ 1/16W J	
R615	NRSA63J-151X	MG RESISTOR	150Ω 1/16W J	
R616	NRSA63J-103X	MG RESISTOR	10kΩ 1/16W J	
R621	NRSA63J-470X	MG RESISTOR	47Ω 1/16W J	
R622	NRSA63J-470X	MG RESISTOR	47Ω 1/16W J	
R623	NRSA63J-470X	MG RESISTOR	47Ω 1/16W J	
R624	NRSA63J-562X	MG RESISTOR	5.6kΩ 1/16W J	
R625	NRSA63J-473X	MG RESISTOR	47kΩ 1/16W J	
R626	NRSA63J-474X	MG RESISTOR	470kΩ 1/16W J	
R627	NRSA63J-153X	MG RESISTOR	15kΩ 1/16W J	
R628	NRSA63J-155X	MG RESISTOR	1.5MΩ 1/16W J	
R629	NRSA63J-103X	MG RESISTOR	10kΩ 1/16W J	
R630	NRSA63J-101X	MG RESISTOR	100Ω 1/16W J	
R631	NRSA63J-101X	MG RESISTOR	100Ω 1/16W J	
R632	NRSA63J-0R0X	MG RESISTOR	0Ω 1/16W J	
R633	NRSA63J-0R0X	MG RESISTOR	0Ω 1/16W J	
R634	NRSA63J-0R0X	MG RESISTOR	0Ω 1/16W J	
R635	NRSA63J-101X	MG RESISTOR	100Ω 1/16W J	
R636	NRSA63J-101X	MG RESISTOR	100Ω 1/16W J	
R637	NRSA63J-105X	MG RESISTOR	1MΩ 1/16W J	
R638	NRSA63J-472X	MG RESISTOR	4.7kΩ 1/16W J	
R639	NRSA63J-472X	MG RESISTOR	4.7kΩ 1/16W J	
R640	NRSA63J-472X	MG RESISTOR	4.7kΩ 1/16W J	
R641	NRSA63J-472X	MG RESISTOR	4.7kΩ 1/16W J	
R642	NRSA63J-103X	MG RESISTOR	10kΩ 1/16W J	
R651	NRSA63J-104X	MG RESISTOR	100kΩ 1/16W J	
R654	NRSA63J-390X	MG RESISTOR	39Ω 1/16W J	
R655	NRSA63J-103X	MG RESISTOR	10kΩ 1/16W J	
R656	NRSA63J-473X	MG RESISTOR	47kΩ 1/16W J	
R657	NRSA63J-222X	MG RESISTOR	2.2kΩ 1/16W J	
R668	NRSA63J-470X	MG RESISTOR	47Ω 1/16W J	
R675	NRSA63J-221X	MG RESISTOR	220Ω 1/16W J	
R681	NRSA63J-682X	MG RESISTOR	6.8kΩ 1/16W J	
R682	NRSA63J-222X	MG RESISTOR	2.2kΩ 1/16W J	
R683	NRSA63J-682X	MG RESISTOR	6.8kΩ 1/16W J	
R684	NRSA63J-822X	MG RESISTOR	8.2kΩ 1/16W J	
R685	NRSA63J-682X	MG RESISTOR	6.8kΩ 1/16W J	
R686	NRSA63J-123X	MG RESISTOR	12kΩ 1/16W J	
R687	NRSA63J-682X	MG RESISTOR	6.8kΩ 1/16W J	
R688	NRSA63J-182X	MG RESISTOR	1.8kΩ 1/16W J	
R689	NRSA63J-123X	MG RESISTOR	12kΩ 1/16W J	
R690	NRSA63J-333X	MG RESISTOR	33kΩ 1/16W J	
R691	NRSA63J-153X	MG RESISTOR	15kΩ 1/16W J	
L501	NQL114K-470X	INDUCITOR	47uH K	
L502	NQL114K-470X	INDUCITOR	47uH K	
L572	NQL114K-470X	INDUCITOR	47uH K	
L621	NQL114K-470X	INDUCITOR	47uH K	
L622	NQL114K-470X	INDUCITOR	47uH K	
L623	NQL114K-470X	INDUCITOR	47uH K	
L651	NQL114K-470X	INDUCITOR	47uH K	
L652	NQL114K-470X	INDUCITOR	47uH K	
L653	NQL114K-470X	INDUCITOR	47uH K	
CN501	QGB2027L1-22X	CONNECTOR	B-B (1-22)	
CN601	QGF0527F2-22W	CONNECTOR	FFC/FPC (1-22)	
TH501	NAD0028-103X	N THERMISTOR	10kΩ	
X501	NAX0385-001X	CRYSTAL	24.576MHz	
X571	NAX0375-001X	CRYSTAL	16.9344MHz	

<MEMO>

Packing materials and accessories parts list

Block No. M 3 M M



Packing and Accessories

Block No. [M][3][M][M]

△ Symbol No.	Part No.	Part Name	Description	Local
A 1	GET0265-001A	INST BOOK	ENG THA	G615U,G615U2,G615UH,G615UH2
A 1	GET0265-003A	INST BOOK	ENG INA	G615UN,G615UN2
A 1	GET0265-007A	INST BOOK	ENG CHI(TAIWAN)	G615UT
A 2	GET0265-004A	INSTALL MANUAL		G615U,G615U2,G615UH,G615UH2
A 2	GET0265-006A	INSTALL MANUAL		G615UN,G615UN2
A 2	GET0265-008A	INSTALL MANUAL		G615UT
A 3	RM-RK50	REMOCON UNIT		
A 4	-----	BATTERY		
A 5	VKZ4027-202	PLUG NUT		
A 6	VKH4871-003	MOUNT BOLT		
A 7	VKZ4328-003	LOCK NUT		
A 8	QYWW53A008ZA	WASHER	0mm/5.3mm x (x2)	
A 9	GE40130-002A	HOOK		
A 10	GE20137-003A	MOUNTING SLEEVE		
A 11	GE20149-014A	TRIM PLATE		
A 12	FSJB3002-30C	HARD CASE		
A 13	QAM0308-004	16P CORD ASSY		
A 14	GET0265-002A	INST BOOK	KOR CHI(TAIWAN) ARA PER	G615U,G615U2
A 15	GET0265-009A	INST BOOK	RUS	G615U,G615U2
A 16	GET0265-005A	INSTALL MANUAL		G615U,G615U2
A 17	GET0265-010A	INSTALL MANUAL		G615U,G615U2
KIT	SRW-385U	SCREW PARTS KIT	A5 A6 A7 A8 A9	
P 1	GE31468-002A	CARTON		
P 2	FSPG4002-001	POLY BAG	(x2)	G615U,G615U2
P 2	FSPG4002-001	POLY BAG		G615UH,G615UH2
P 2	FSPG4002-001	POLY BAG		G615UN,G615UN2,G615UT
P 3	QPC03004315P	POLY BAG	30cm x 43cm	
P 4	QPA00801205	POLY BAG	8cm x 12cm	
P 5	GE10108-002A	PAPER CUSHION	(x2)	
P 6	FSYH4036-068	SHEET		
P 7	QPA01003003	POLY BAG	10cm x 30cm	